



A RUTHMAN COMPANY

GUSHER®

Industrial and Coolant Pumps

www.Gusher.com

7800 Series Vertical Discharge Pumps

Models:

11019 A

NEW!...V11019 SE

11031 NS

11032 NS

11034 NS

Features, Dimensions
and Performance Data

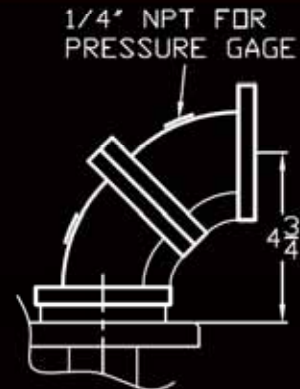
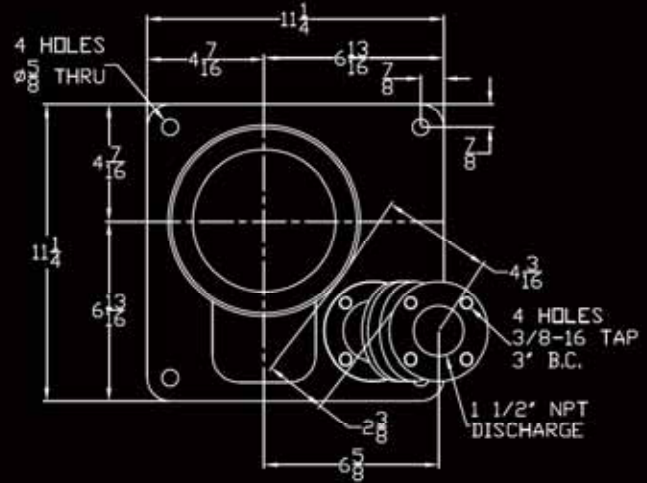
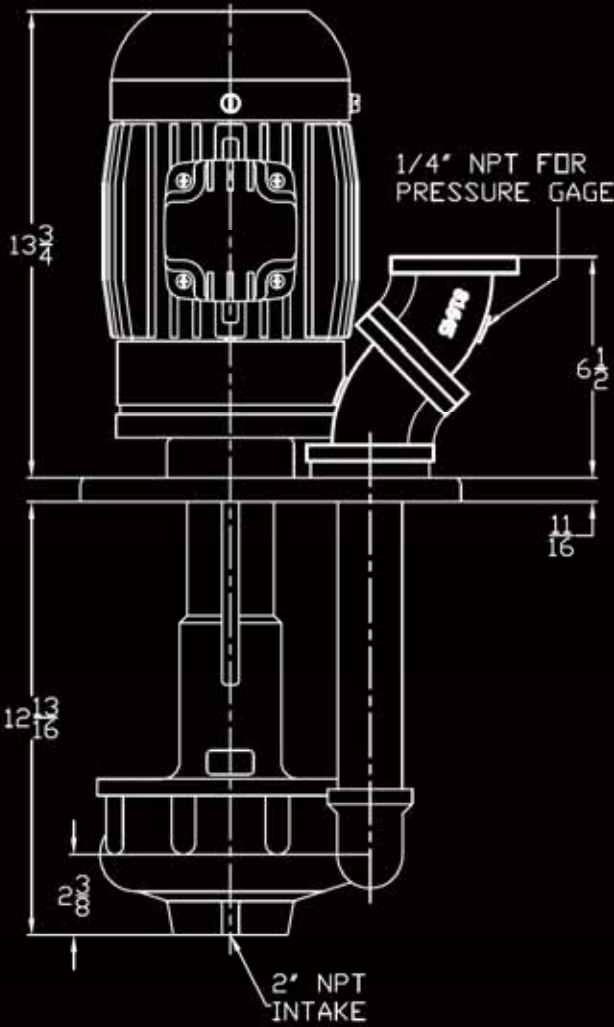


RUTHMAN
Engineering Pump Solutions®



11019 AVD-SE

2HP



ALSO AVAILABLE IN HORIZONTAL

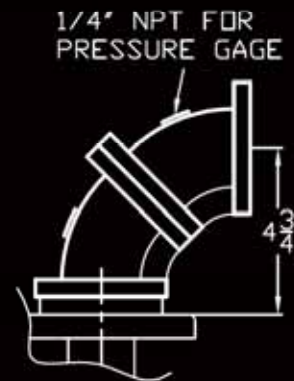
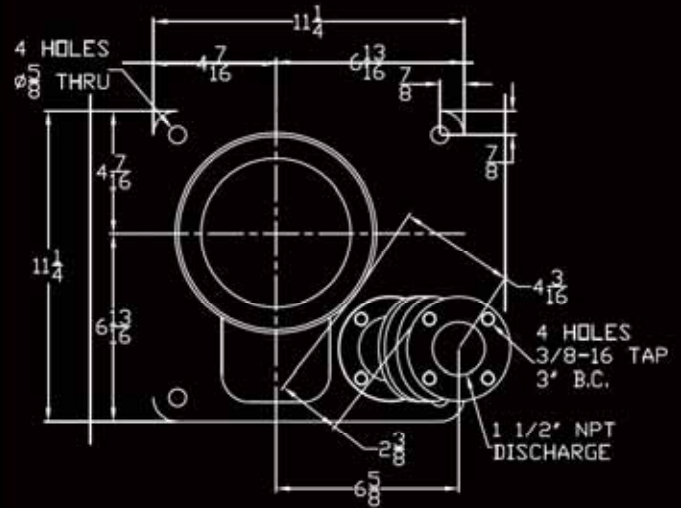
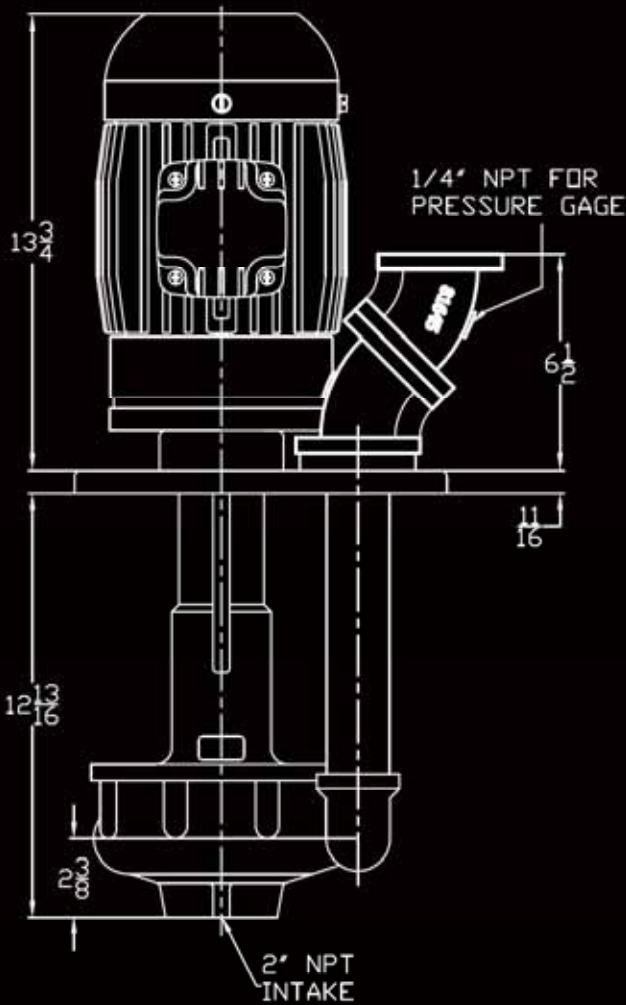
Model: 11019 AVD-SE Speed: 3450 RPM Hertz: 60 Impeller Dia: 4.250

Z number	Depth of immersion		Weight		Flow @ Head		Thread	Height Motor	Power	Voltage	Rated	SF
	inch	mm	lbs	kg	Gpm	l/min						
Z217888 (STD)	12.812	325.4	140	63.64	50	189.25	NPT 1.5	13.75	2	208/230	5.2	6.5
Z217889 (+6")	18.812	477.8	162	73.64	Ft.	m		349.25	1.49			
Z217890 (+12")	24.812	630.2	184	83.64	80	24.39				460	2.6	3.25
Z217891 (+18")	30.812	782.6	206	93.64								
Z217892 (+24")	36.812	935	228	103.64								



11019 AVD-SE

3HP



ALSO AVAILABLE IN HORIZONTAL

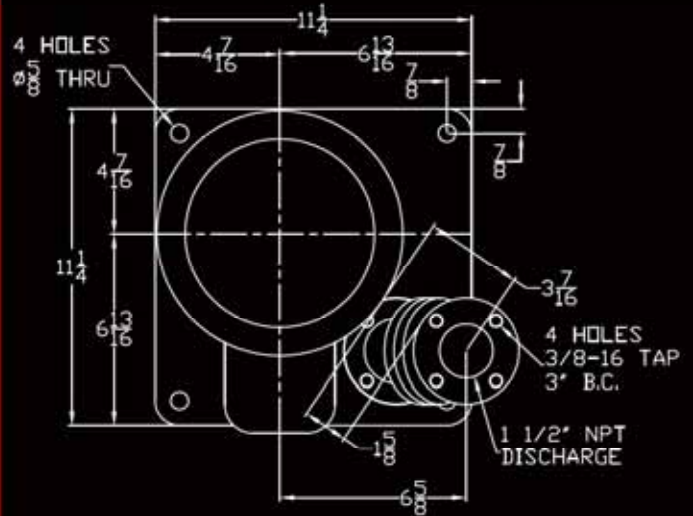
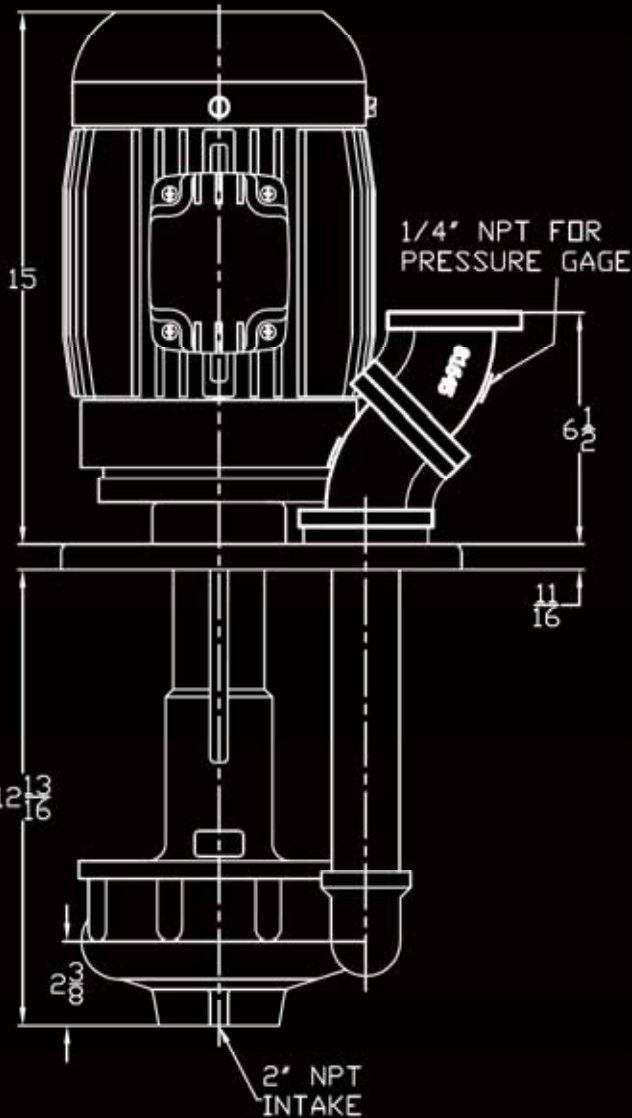
Model: 11019 AVD-SE Speed: 3450 RPM Hertz: 60 Impeller Dia: 4.625

Z number	Depth of immersion		Weight		Flow @ Head		Thread	Height Motor	Power	Voltage	Rated	SF	
	inch	mm	lbs	kg	Gpm	l/min		inch mm					HP kw
Z217897 (STD)	12.812	325.4	140	63.64	100	378.5	NPT 1.5	13.75	3	208/230	7.43	9.29	
Z217898 (+6")	18.812	477.8	162	73.64	Ft.	m		349.3					2.24
Z217899 (+12")	24.812	630.2	184	83.64	85	25.91							
Z217900 (+18")	30.812	782.6	206	93.64									
Z217901 (+24")	36.812	935.0	228	103.64									

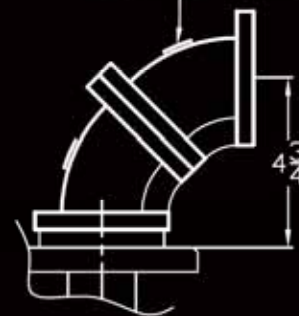


11019 AVD-SE

5HP



1/4" NPT FOR PRESSURE GAGE



ALSO AVAILABLE
IN HORIZONTAL

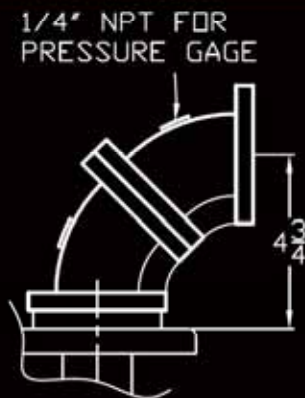
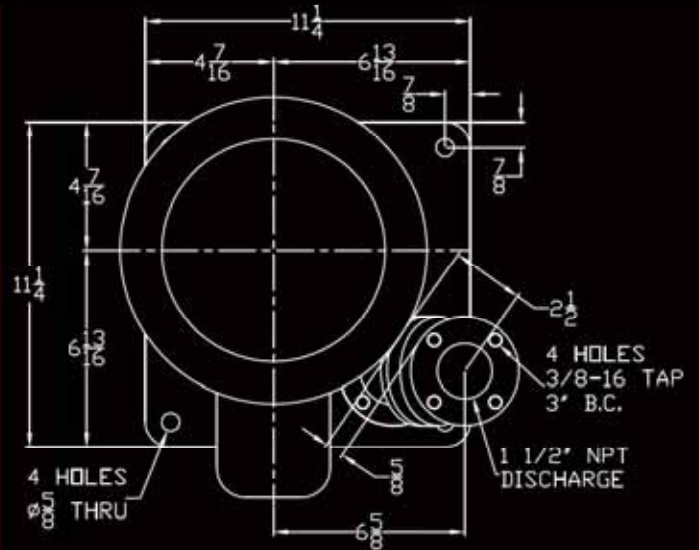
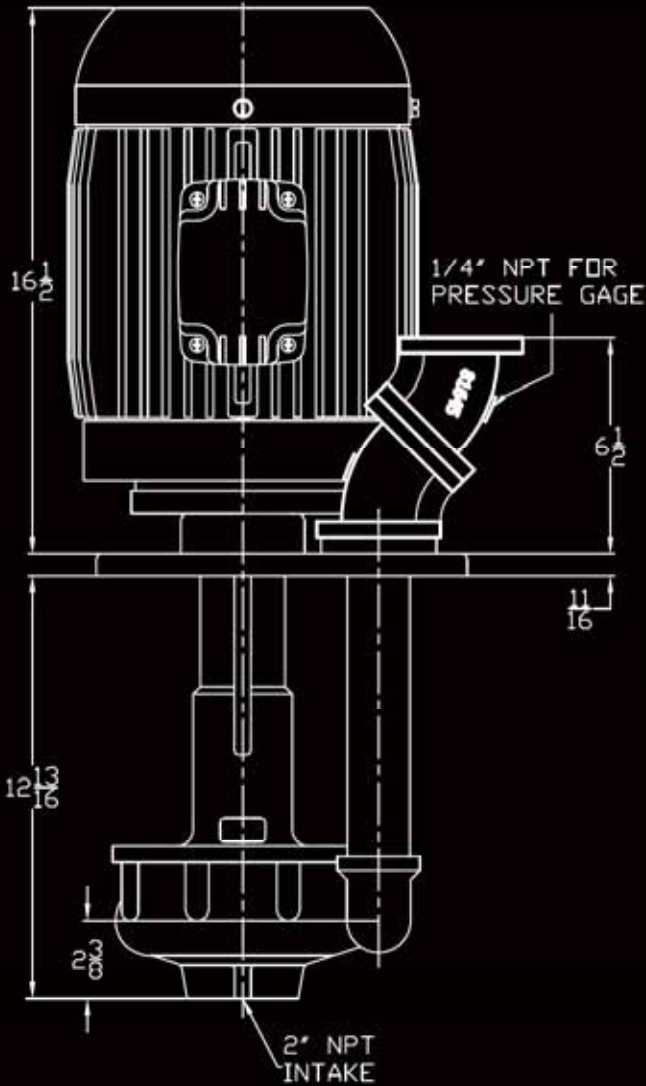
Model: 11019 AVD-SE Speed: 3450 RPM Hertz: 60 Impeller Dia: 5.750

Z number	Depth of immersion		Weight		Flow @ Head		Thread	Height	Power	Voltage	Rated	SF			
	inch	mm	lbs	kg	Gpm	l/min		Motor							
Z217902 (STD)	12.812	325.4	210	95.45	100	378.5	NPT 1.5	inch	5 3.73	3 phase	current Amps	current Amps			
Z217903 (+6")	18.812	477.8	232	105.45	Ft.	m		15					208/230	11.8	14.8
Z217904 (+12")	24.812	630.2	254	115.45	138	42.07		381					460	5.9	7.4
Z217905 (+18")	30.812	782.6	276	125.45											
Z217906 (+24")	36.812	935.0	298	135.45											



11019 AVD-SE

7.5HP



ALSO AVAILABLE IN HORIZONTAL

Model: 11019 AVD-SE Speed: 3450 RPM Hertz: 60 Impeller Dia: 6.350

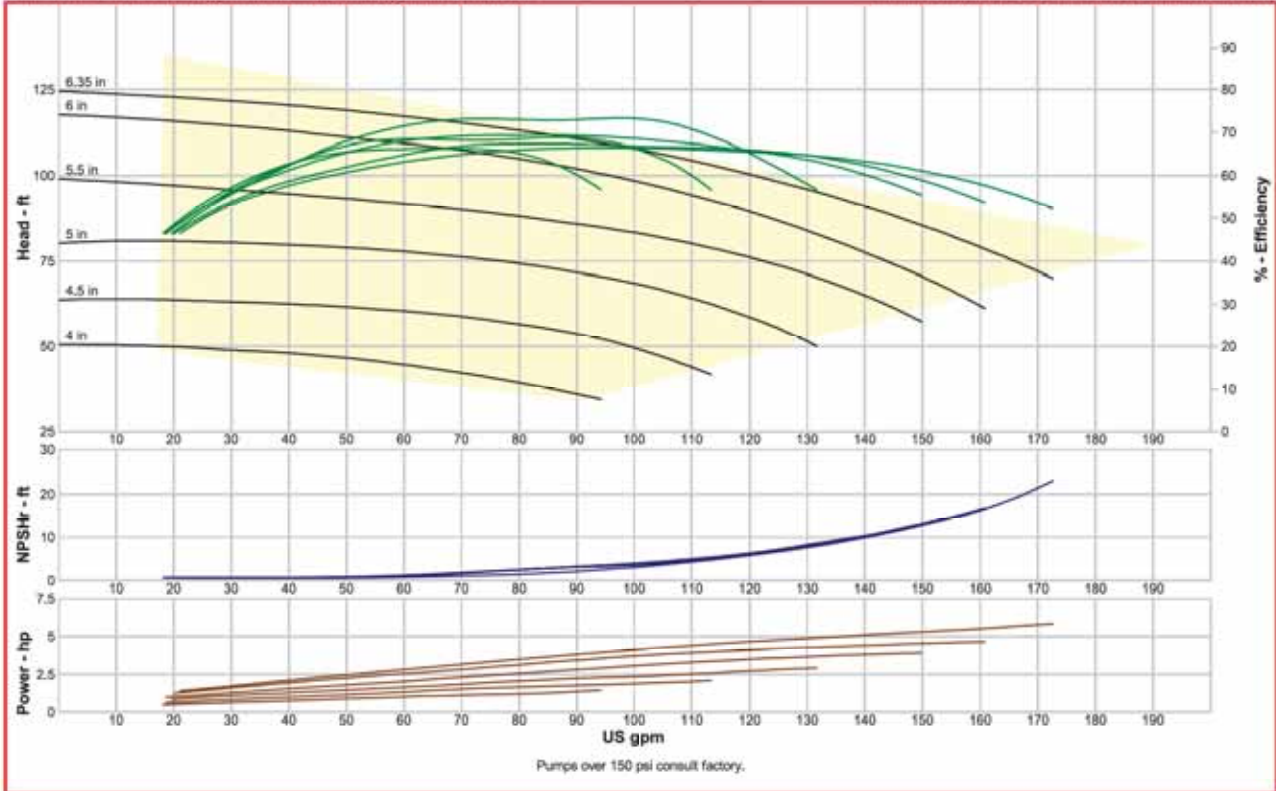
Z number	Depth of immersion		Weight		Flow @ Head		Thread	Height	Power	Voltage	Rated	SF	
	inch	mm	lbs	kg	Gpm	l/min		Motor					
Z217907 (STD)	12.812	325.4	226	102.73	135	510.975	NPT 1.5	16.5	7.5	208/230	17.3	21.6	
Z217908 (+6")	18.812	477.8	248	112.73	Ft.	m		419.1	5.60				
Z217909 (+12")	24.812	630.2	270	122.73	150	45.73				460	8.65	10.8	
Z217910 (+18")	30.812	782.6	292	132.73									
Z217911 (+24")	36.812	935.0	314	142.73									



11019 AVD Performance Data

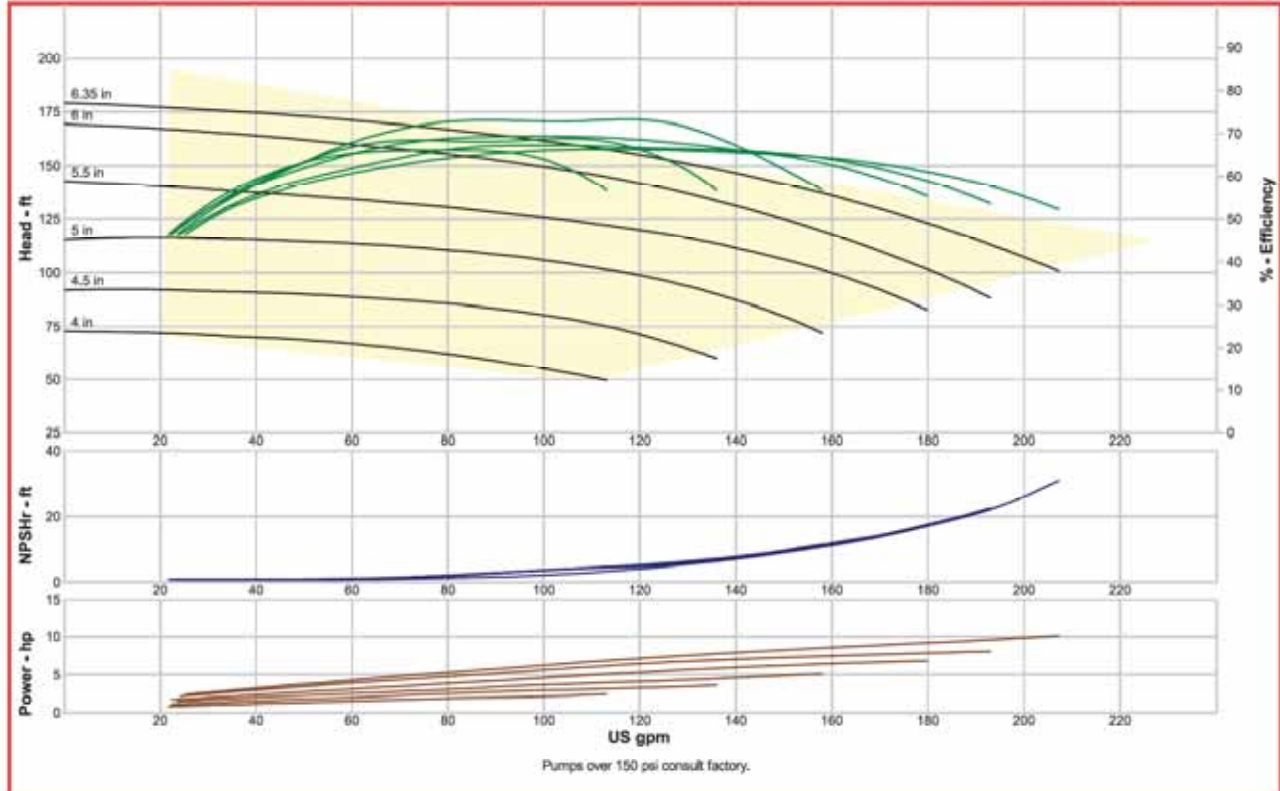
VERT7800 - 3000 Catalog: Gusher Pump Catalog 50Hz, Vers 3.0

Size: 11019SE-A Speed: 2875 rpm Dia: 6.35 in



VERT7800 - 3600 Catalog: Gusher Pump Catalog 60Hz, Vers 3.0

Size: 11019SE-A Speed: 3450 rpm Dia: 6.35 in

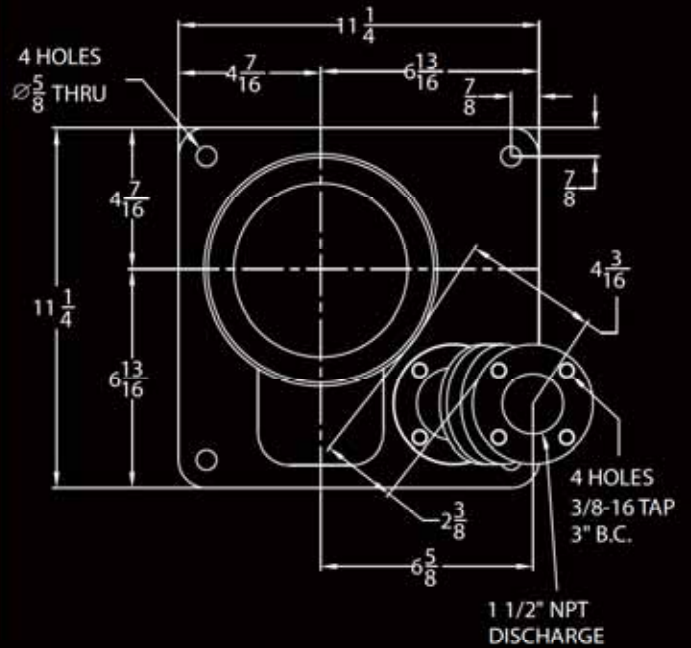
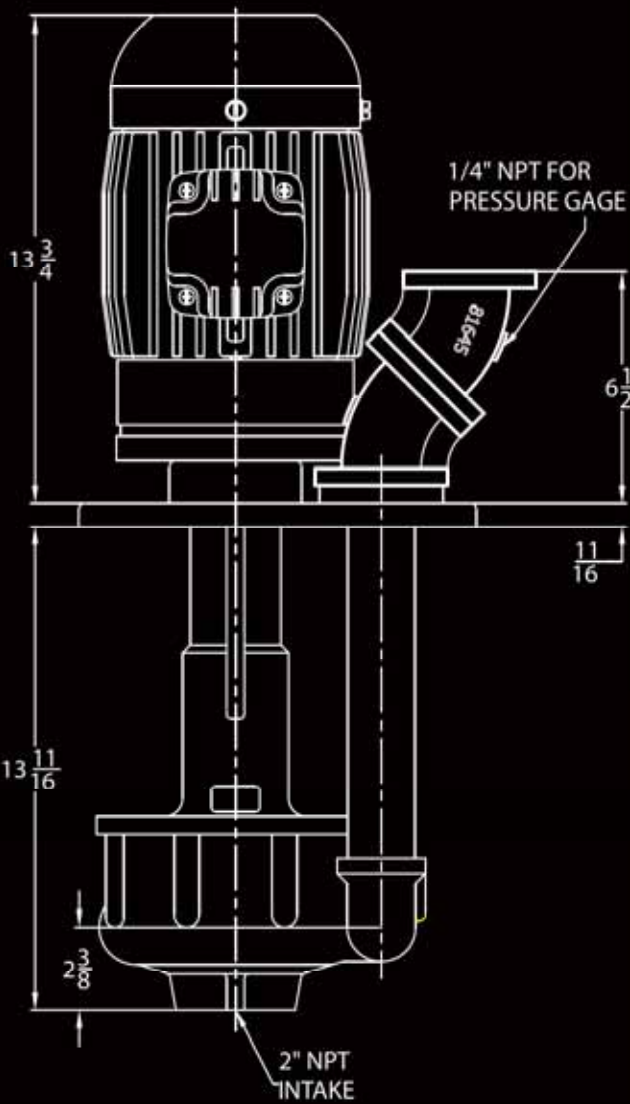


NEW!...FROM GUSHER...V11019-SE SERIES

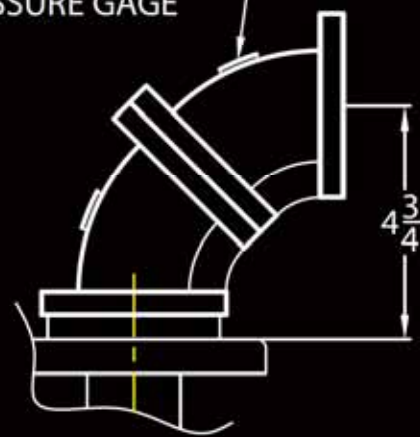


V11019 AVD-SE

2HP



1/4" NPT FOR PRESSURE GAGE



ALSO AVAILABLE
IN HORIZONTAL

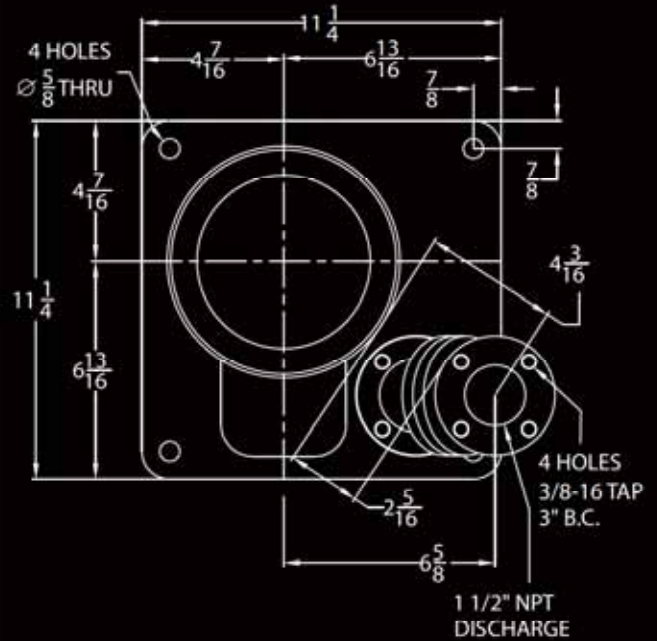
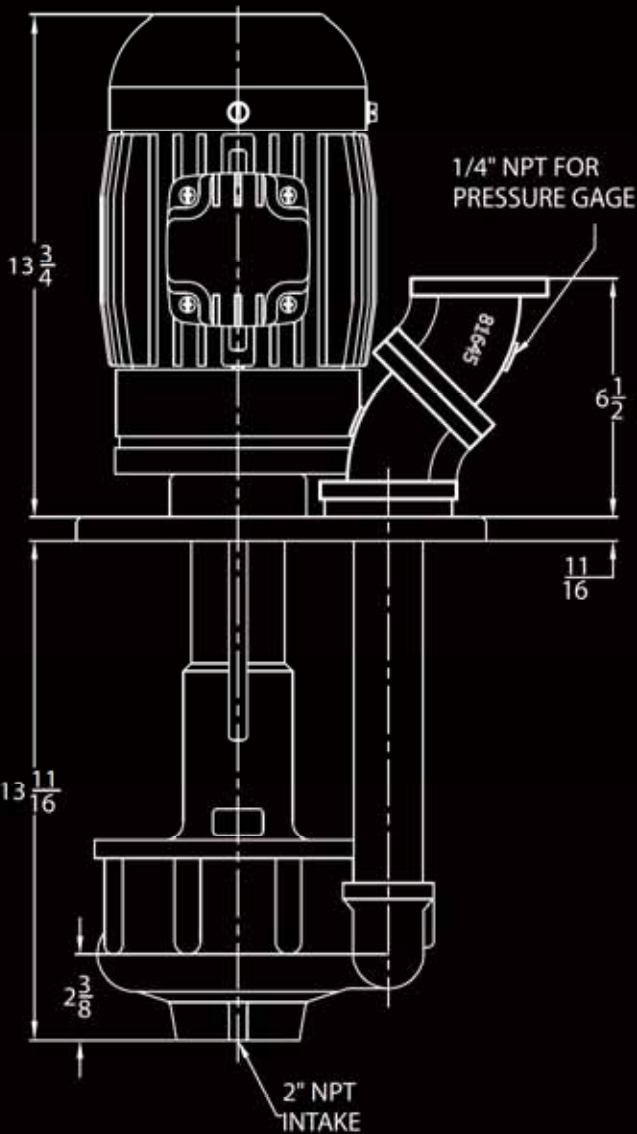
CONTACT GUSHER FOR MORE INFORMATION...859-824-3100

NEW!...FROM GUSHER...V11019-SE SERIES

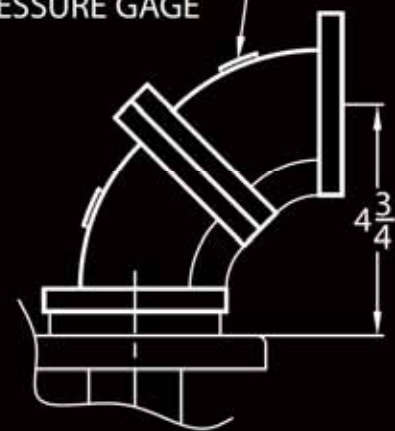


V11019 AVD-SE

3HP



1/4" NPT FOR PRESSURE GAGE



ALSO AVAILABLE IN HORIZONTAL

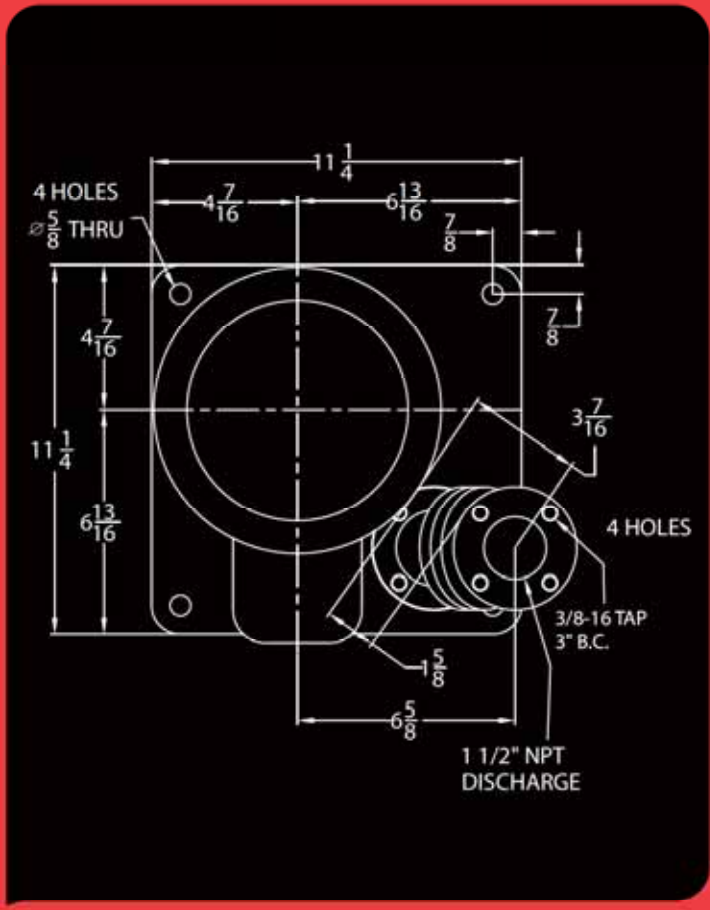
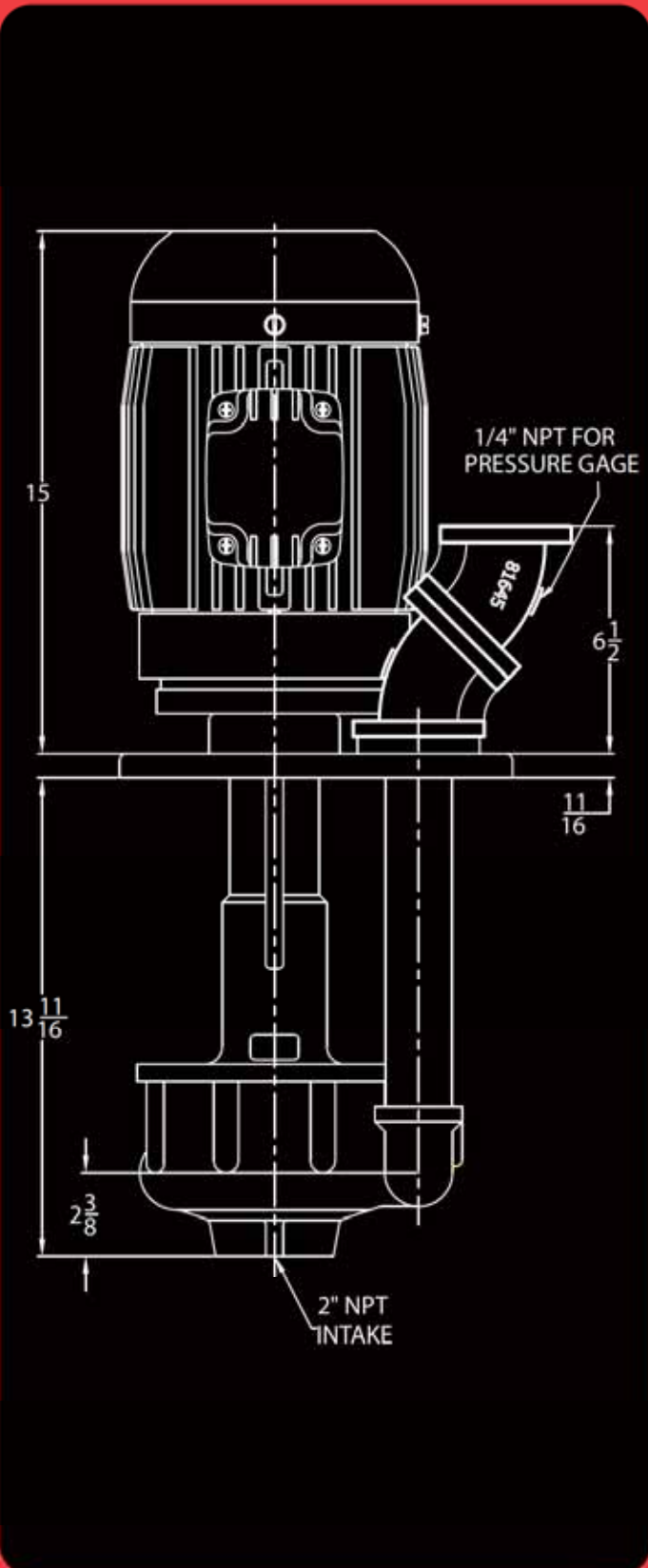
CONTACT GUSHER FOR MORE INFORMATION...859-824-3100

NEW!...FROM GUSHER...V11019-SE SERIES



V11019 AVD-SE

5HP



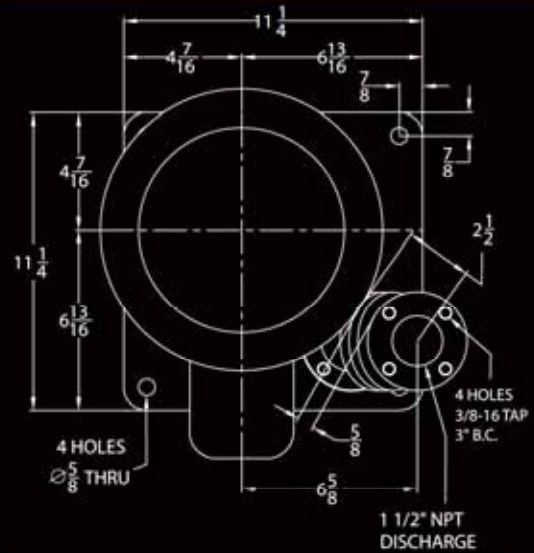
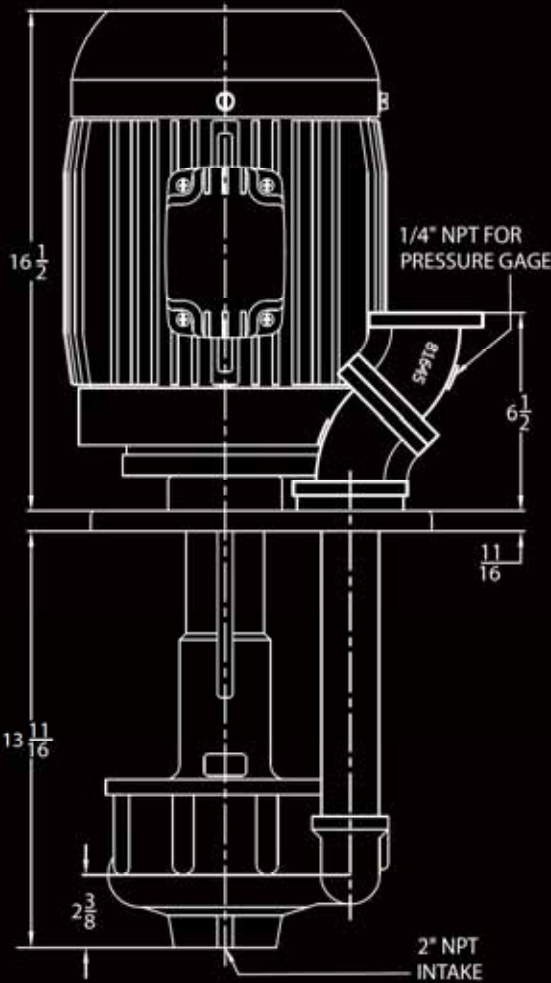
CONTACT GUSHER FOR MORE INFORMATION...859-824-3100

NEW!...FROM GUSHER...V11019-SE SERIES

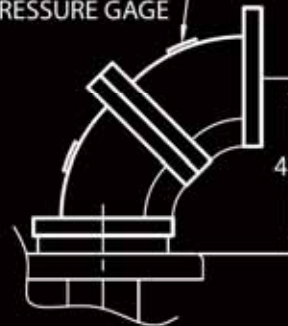


V11019 AVD-SE

7.5HP

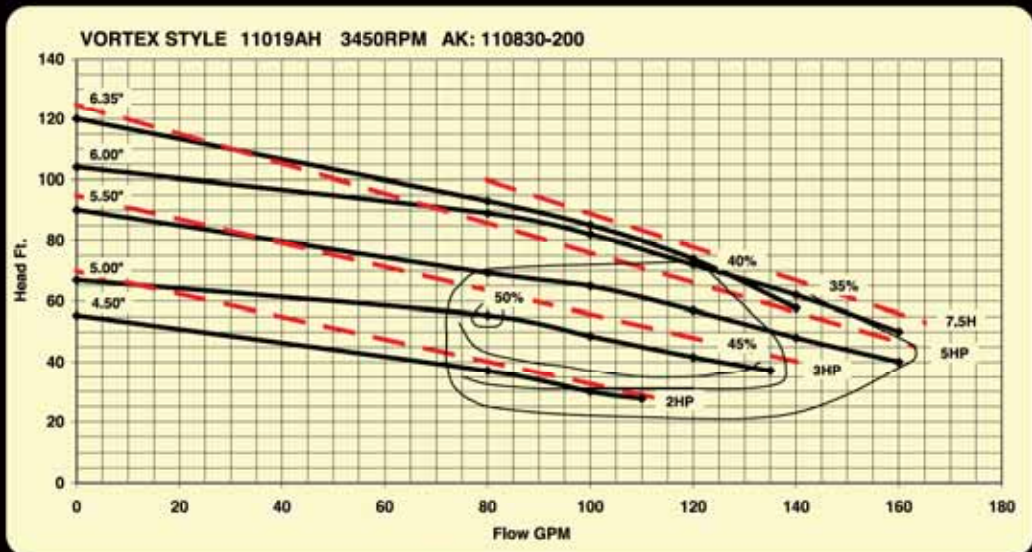


1/4" NPT FOR PRESSURE GAGE



ALSO AVAILABLE IN HORIZONTAL

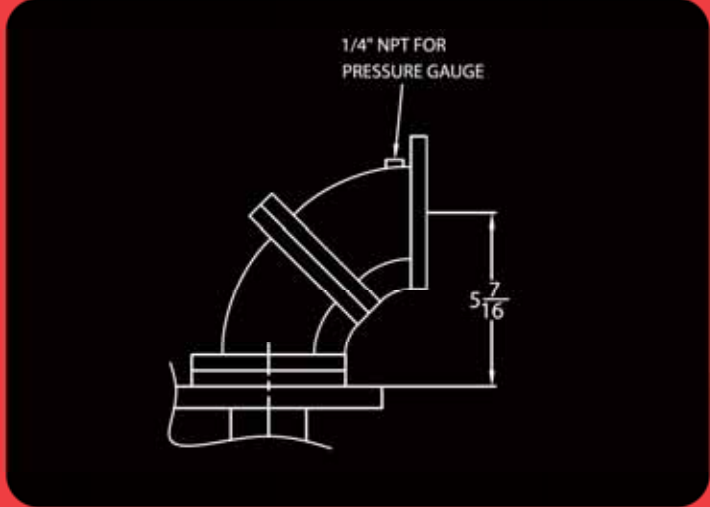
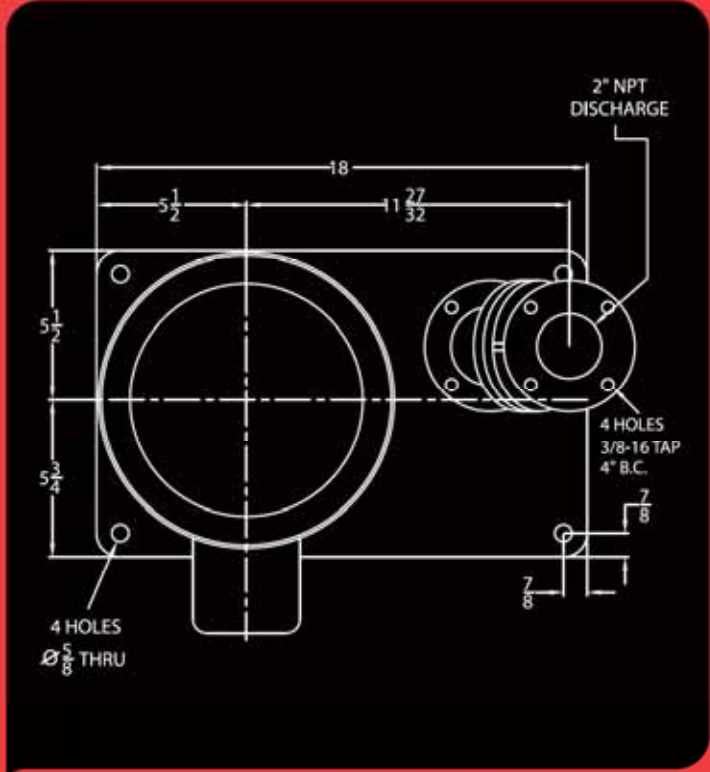
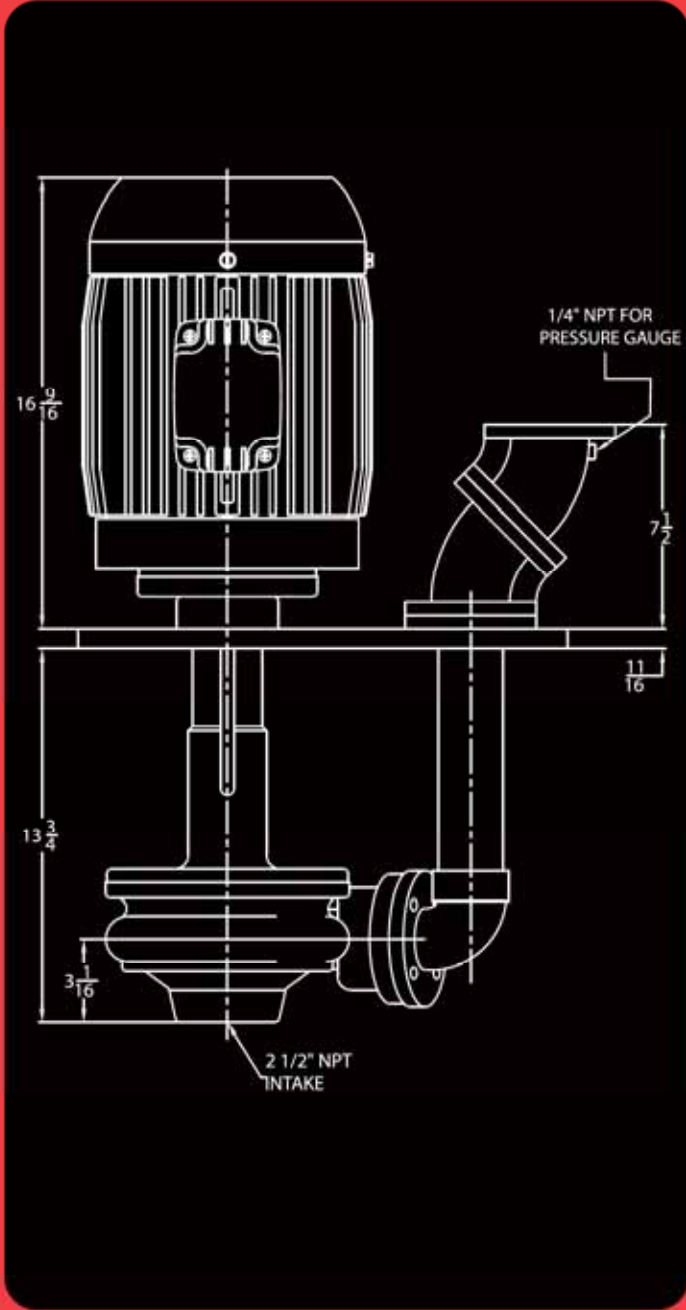
Performance Data for Vortex V11019 AVD-SE





11031NS-SE-VD

7.5HP
(ALSO 5HP)



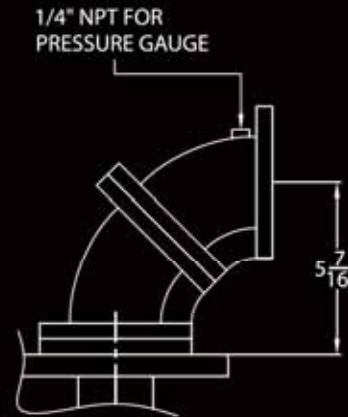
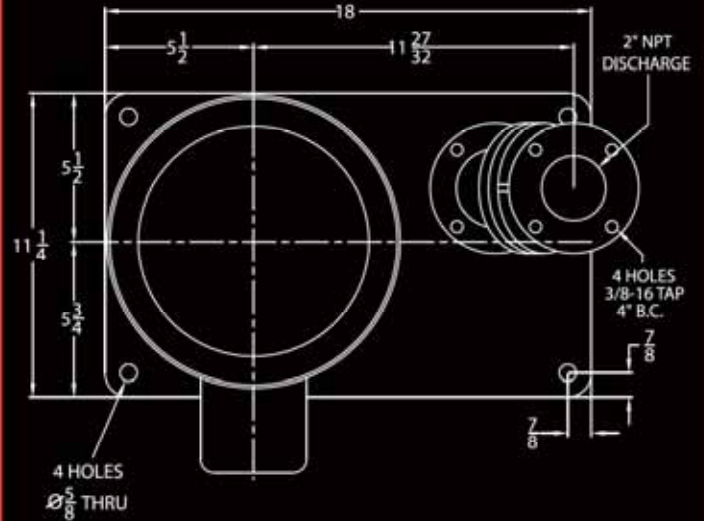
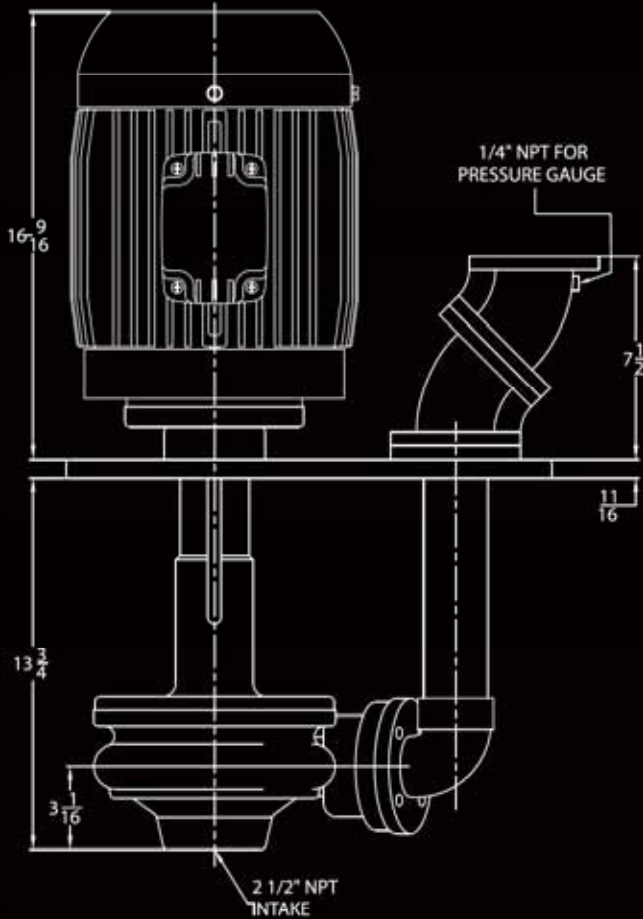
Model: 11031NS-SE-VD		Speed: 3450 RPM		Hertz: 60		Impeller Dia: 6						
Z number	Depth of immersion		Weight		Flow @ Head		Thread	Height Motor	Power	Voltage	Rated	SF
	inch	mm	lbs	kg	Gpm	l/min						
Z217912 (STD)	13.75	349.3	260	118.18	150	567.75	NPT 2	16.562	7.5	208/230 460	17.3 8.65	21.6 10.8
Z217913 (+6")	19.75	501.7	282	128.18	Ft.	m		420.67	5.60			
Z217914 (+12")	25.75	654.1	304	138.18	130	39.63						
Z217915 (+18")	31.75	806.5	326	148.18								
Z217916 (+24")	37.75	958.9	348	158.18								



11031NS-SE-VD

10HP

WITH IMPELLER DIAMETER 6.375



Model: 11031NS-SE-VD Speed: 3450 RPM Hertz: 60 Impeller Dia: 6.375

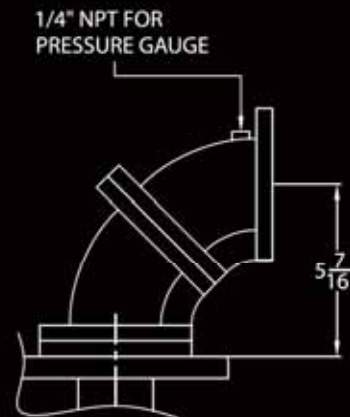
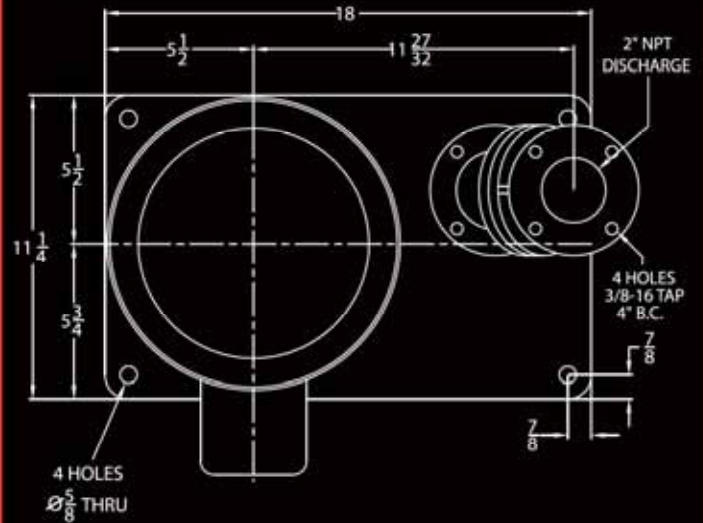
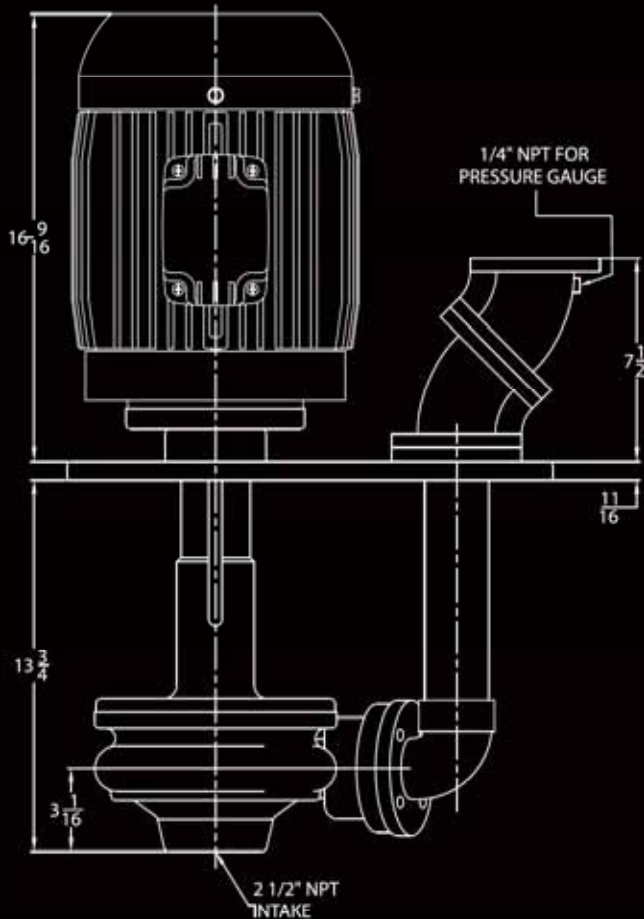
Z number	Depth of immersion		Weight		Flow @ Head		Thread	Height Motor		Power	Voltage	Rated	SF
	inch	mm	lbs	kg	Gpm	l/min		inch	mm				
Z217917 (STD)	13.75	349.3	260	118.18	150	567.75	NPT 2	16.562	420.67	10 7.46	208/230 460	23.4 11.7	29.3 14.65
Z217918 (+6")	19.75	501.7	282	128.18	Ft.	m							
Z217919 (+12")	25.75	654.1	304	138.18	170	51.83							
Z217920 (+18")	31.75	806.5	326	148.18									
Z217921 (+24")	37.75	958.9	348	158.18									



11031NS-SE-VD

10HP

WITH IMPELLER DIAMETER 6.125



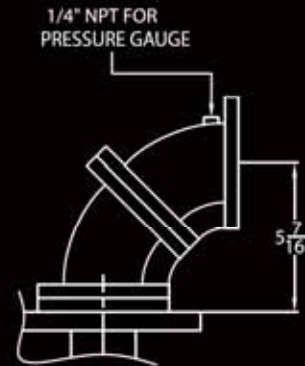
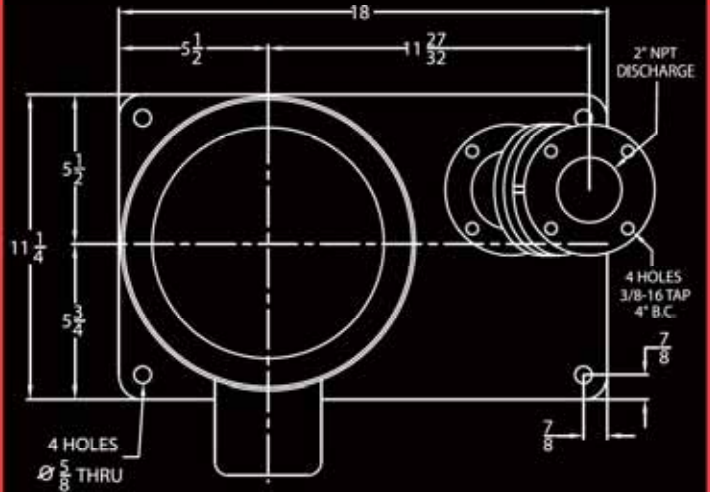
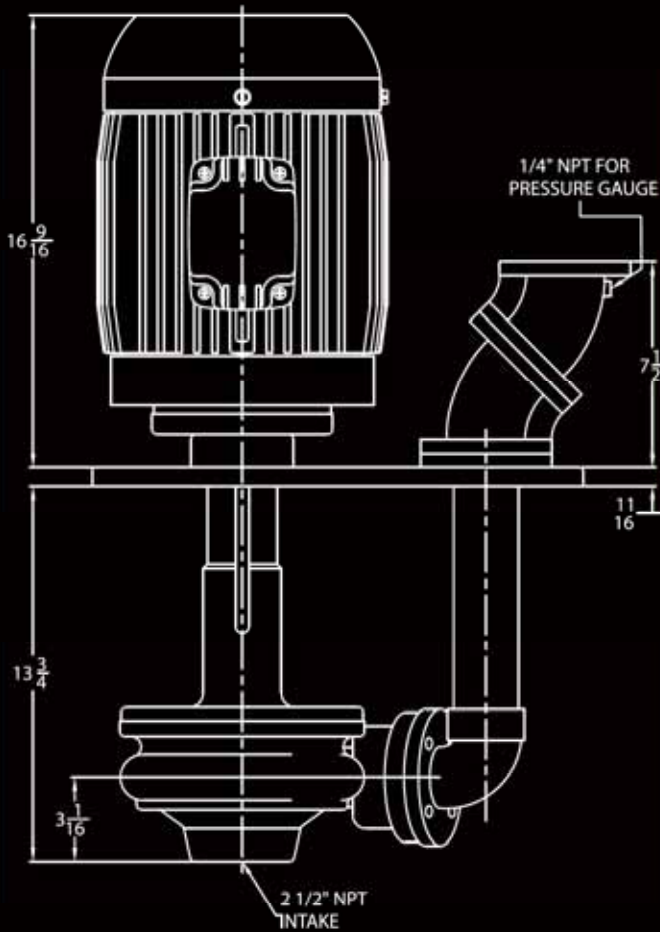
Model: 11031NS-SE-VD Speed: 3450 RPM Hertz: 60 Impeller Dia: 6.125

Z number	Depth of immersion		Weight		Flow @ Head		Thread	Height	Power	Voltage	Rated	SF	
	inch	mm	lbs	kg	Gpm	l/min		Motor					
Z217922 (STD)	13.75	349.3	320	145.45	200	757	NPT 2	16.562	10	3 phase	current Amps	current Amps	
Z217923 (+6")	19.75	501.7	342	155.45	Ft.	m		420.67					7.46
Z217924 (+12")	25.75	654.1	364	165.45	130	39.63				460	11.7	14.65	
Z217925 (+18")	31.75	806.5	386	175.45									
Z217926 (+24")	37.75	958.9	408	185.45									



11031NS-SE-VD

15HP



Model: 11031NS-SE-VD Speed: 3450 RPM Hertz: 60 Impeller Dia: 6.615

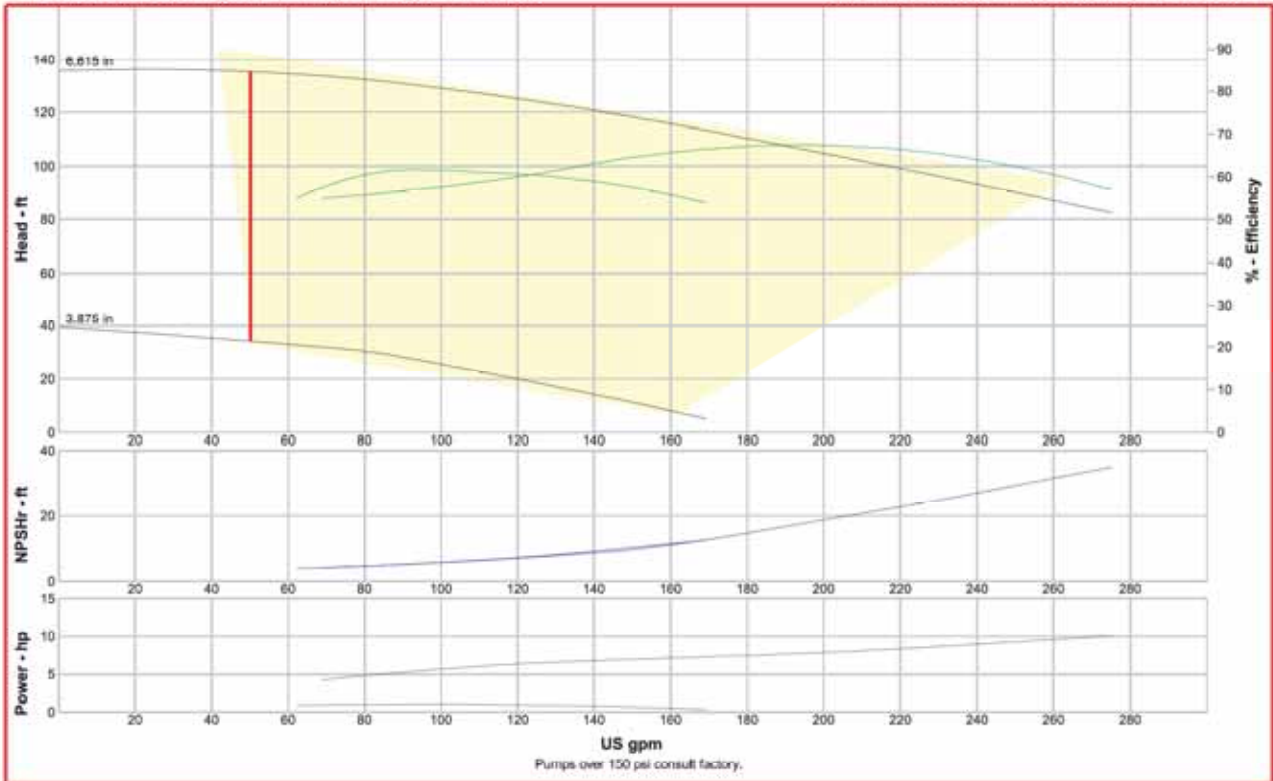
Z number	Depth of immersion		Weight		Flow @ Head		Thread	Height	Power	Voltage	Rated	SF
	inch	mm	lbs	kg	Gpm	l/min						
Z218142 (STD)	13.75	349.3	345	156.82	200	757	NPT 3	16.562 420.6748	15 11.19	3 phase	current Amps	current Amps
Z218143 (+6")	19.75	501.7	367	166.82	Ft.	m						
Z218144 (+12)	25.75	654.1	389	176.82	170	51.83						
Z218145 (+18)	31.75	806.5	411	186.82								
Z218146 (+24)	37.75	958.9	433	196.82								



11031NS Performance Data

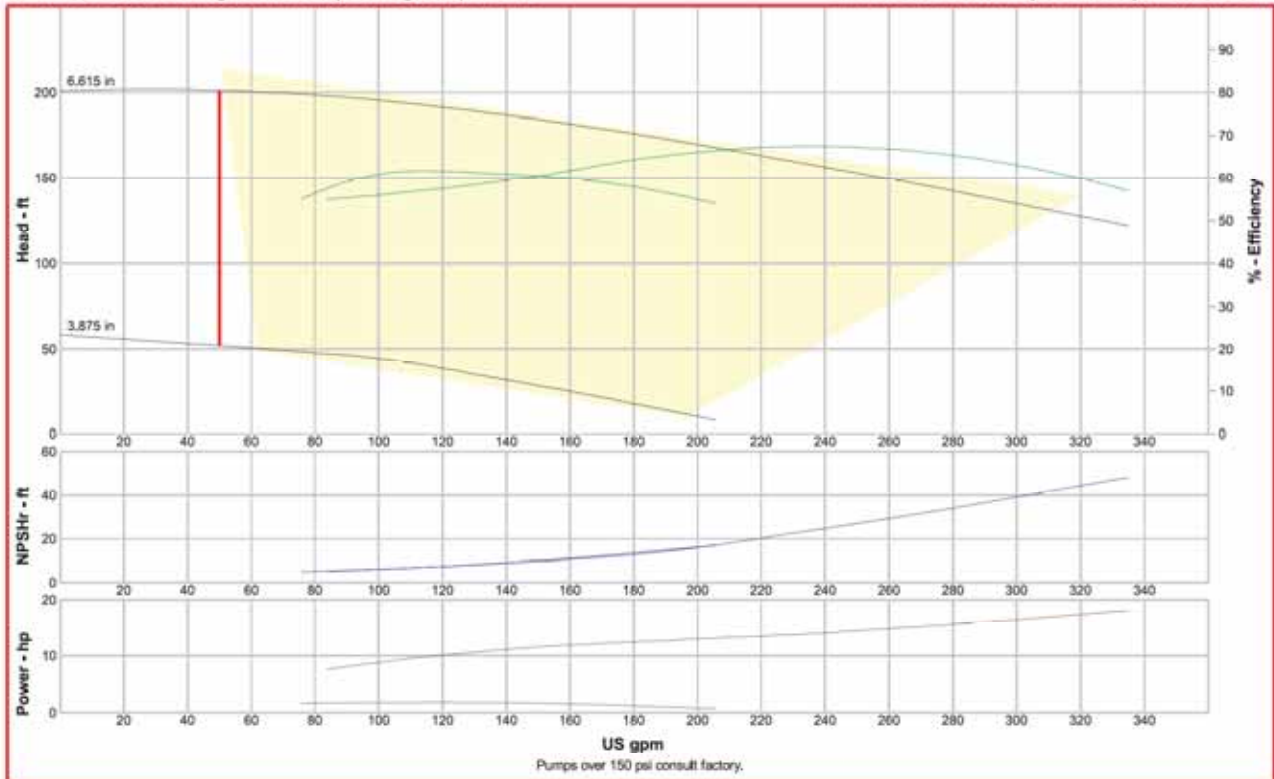
VERT7800 - 3000 Catalog: Gusher Pump Catalog 50Hz, Vers 3.0

Size: 11031E-CIHorJP Speed: 2860 rpm Dia: 6.615 in



VERT7800 - 3600 Catalog: Gusher Pump Catalog 60Hz, Vers 3.0

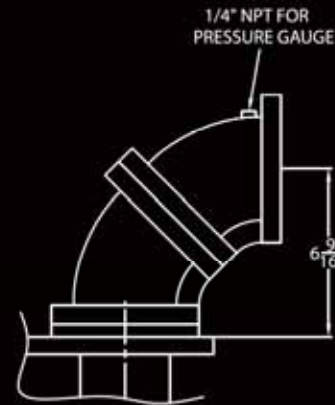
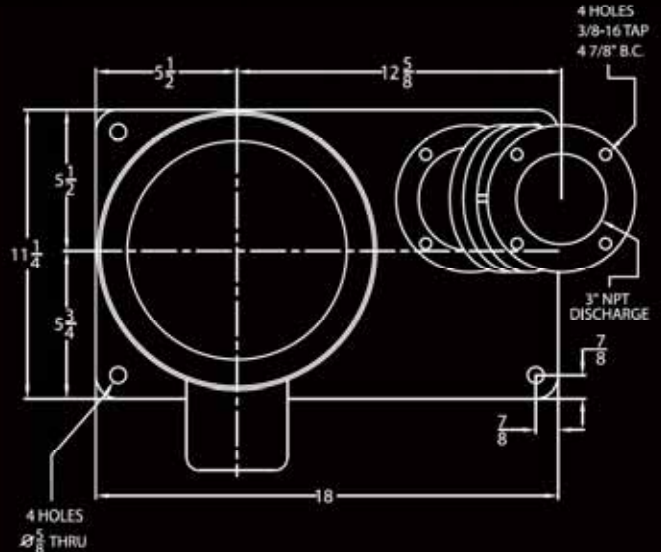
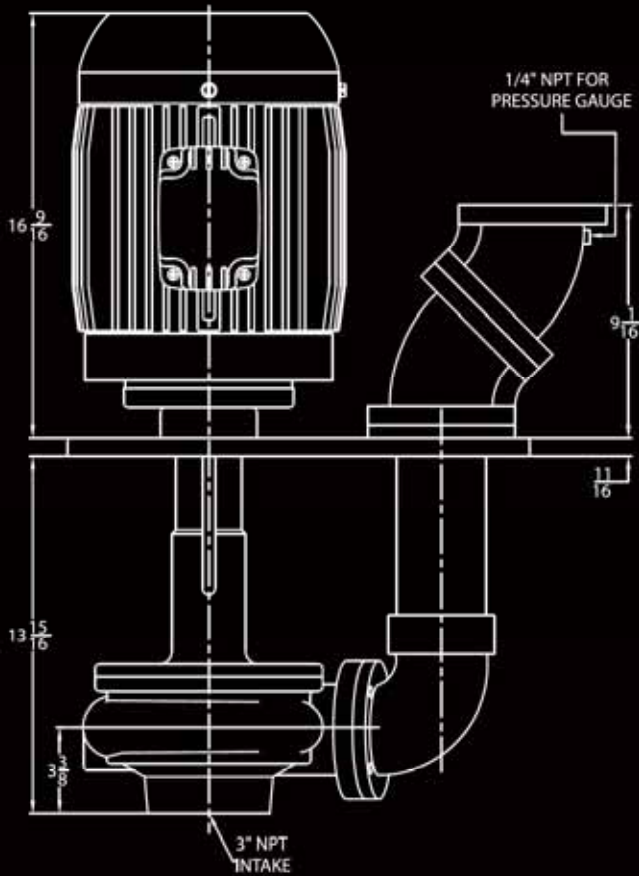
Size: 11031E-CIHorJP Speed: 3480 rpm Dia: 6.615 in





11032NS-SE-VD

10HP
(ALSO 7.5HP)



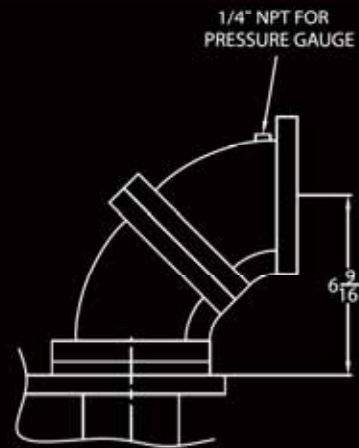
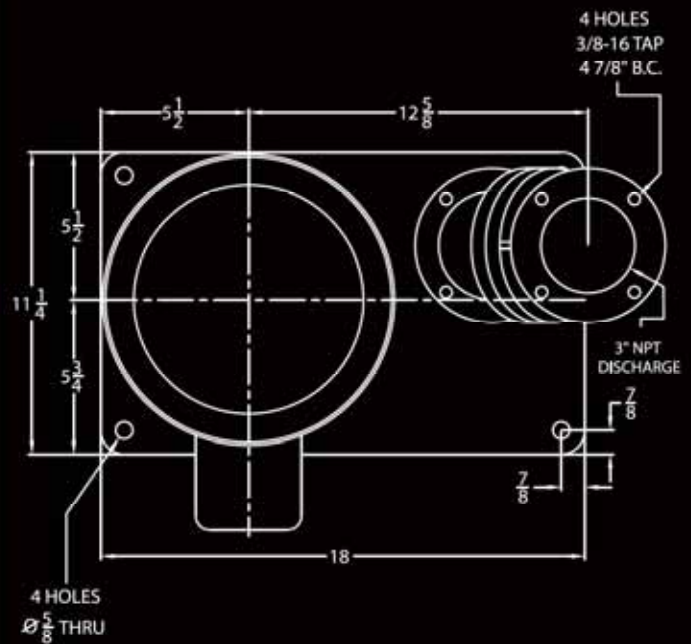
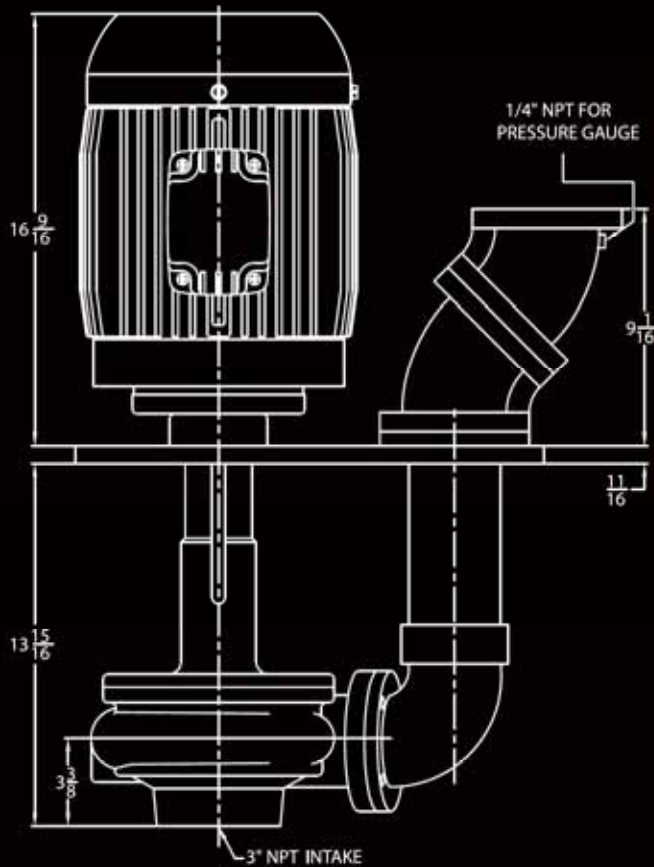
Model: 11032NS-SE-VD Speed: 3450 RPM Hertz: 60 Impeller Dia: 5.375

Z number	Depth of immersion		Weight		Flow @ Head		Thread	Height	Power	Voltage	Rated	SF
	inch	mm	lbs	kg	Gpm	l/min						
Z217938 (STD)	13.937	354.0	335	152.27	250	946.25	NPT 3	16.562 420.67	10 7.46	3 phase	current Amps	current Amps
Z217939 (+6")	19.937	506.4	357	162.27	Ft.	m						
Z217940 (+12")	25.937	658.8	379	172.27	110	33.54						
Z217941 (+18")	31.937	811.2	401	182.27								
Z217942 (+24")	37.937	963.6	423	192.27								



11032NS-SE-VD

15HP



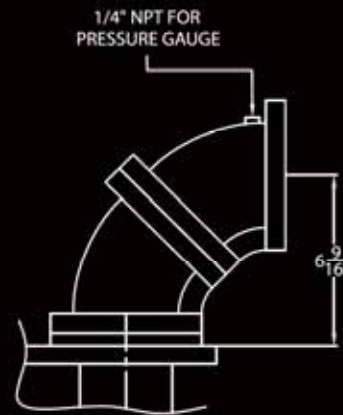
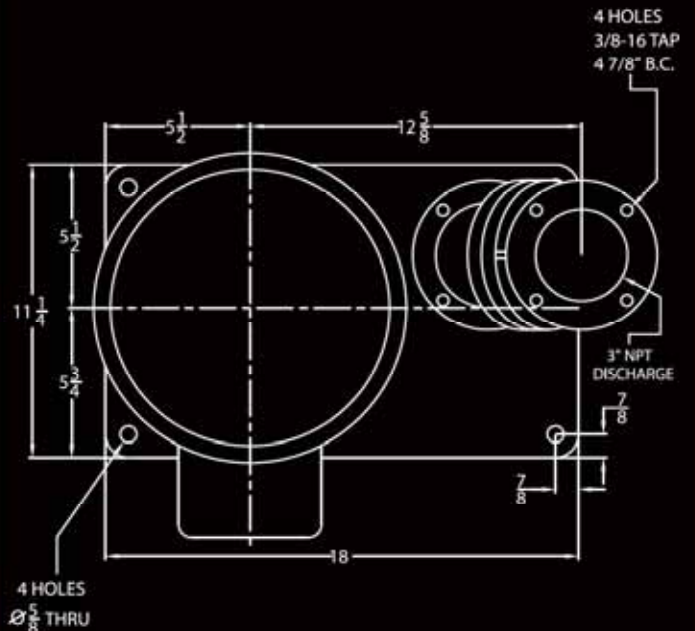
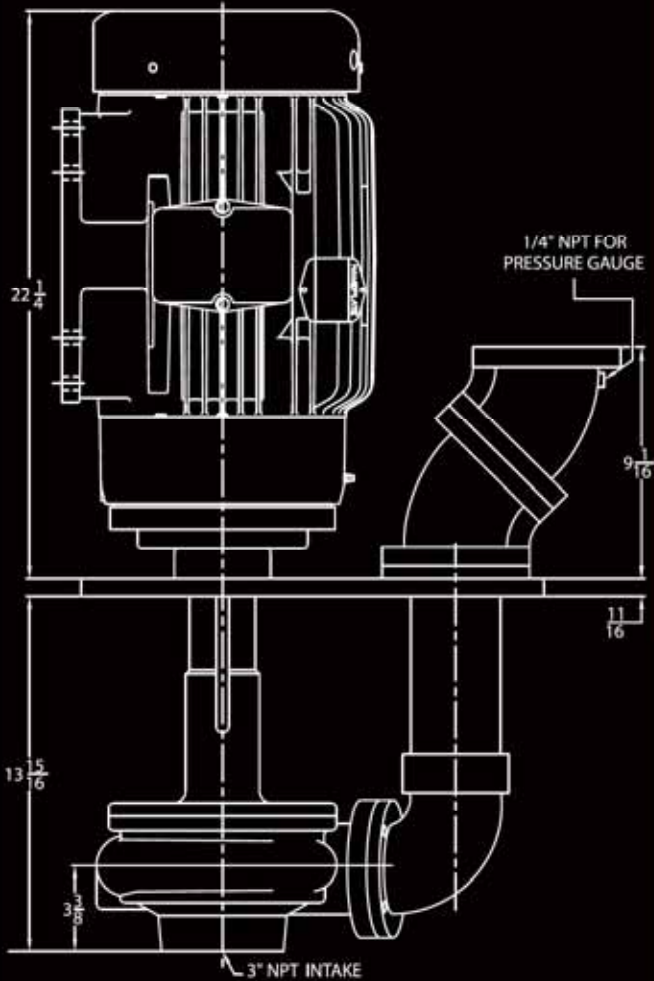
Model: 11032NS-SE-VD Speed: 3450 RPM Hertz: 60 Impeller Dia: 6.00

Z number	Depth of immersion		Weight		Flow @ Head		Thread	Height Motor	Power	Voltage	Rated	SF
	inch	mm	lbs	kg	Gpm	l/min		inch mm				
Z217943 (STD)	13.937	354.0	360	163.64	300	1135.5	NPT 3	16.562	15 11.19	208/230 460	33.6 16.8	42 21
Z217944 (+6")	19.937	506.4	382	173.64	Ft.	m		420.67				
Z217945 (+12")	25.937	658.8	404	183.64	140	42.68						
Z217946 (+18")	31.937	811.2	426	193.64								
Z217947 (+24")	37.937	963.6	448	203.64								



11032NS-SE-VD

20HP



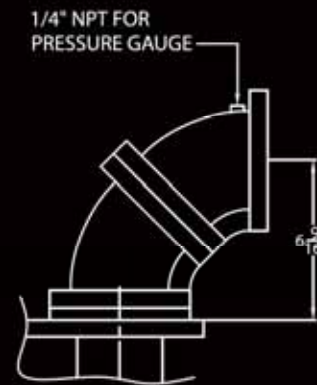
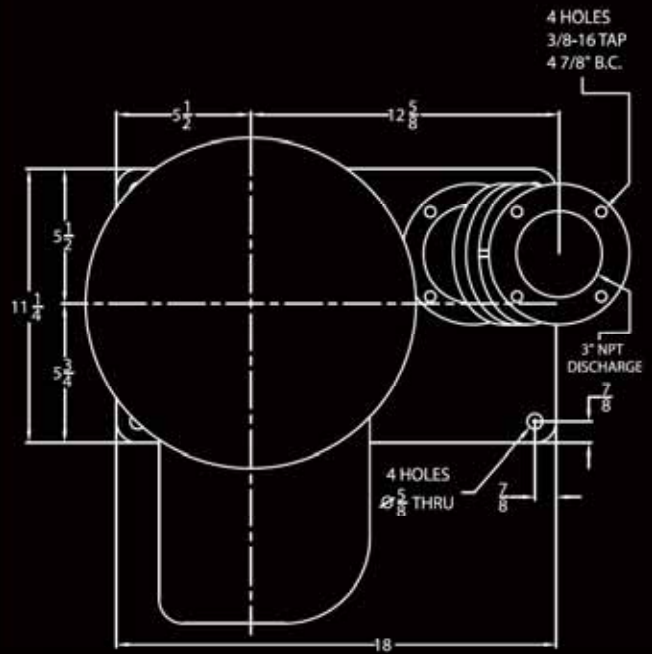
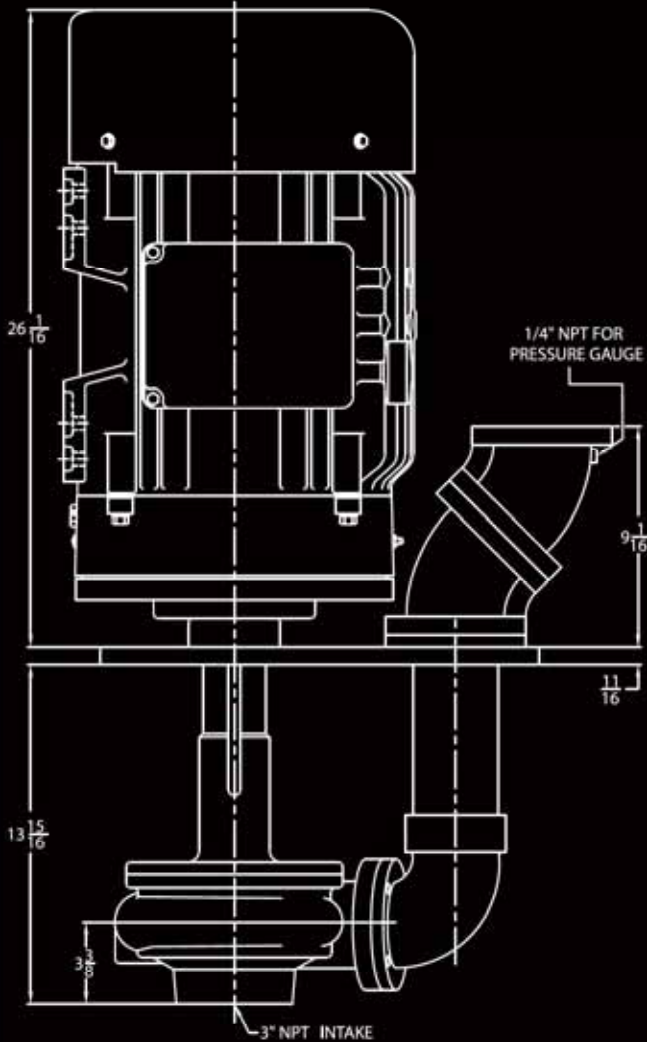
Model: 11032NS-SE-VD Speed: 3450 RPM Hertz: 60 Impeller Dia: 6.50

Z number	Depth of immersion		Weight		Flow @ Head		Thread	Height Motor	Power	Voltage	Rated	SF
	inch	mm	lbs	kg	Gpm	l/min						
Z218096 (STD)	13.937	354.0	450	204.55	350	1324.8	NPT 3	13.75	20	208/230	46.6	58.26
Z218097 (+6)	19.937	506.4	472	214.55	Ft.	m		349.3	14.93			
Z218098 (+12)	25.937	658.8	494	224.55	160	48.78				460	23.3	29.13
Z218099 (+18)	31.937	811.2	516	234.55								
Z218100 (+24)	37.937	963.6	538	244.55								



11032NS-SE-VD

25HP



Model: 11032NS-SE-VD Speed: 3450 RPM Hertz: 60 Impeller Dia: 6.625

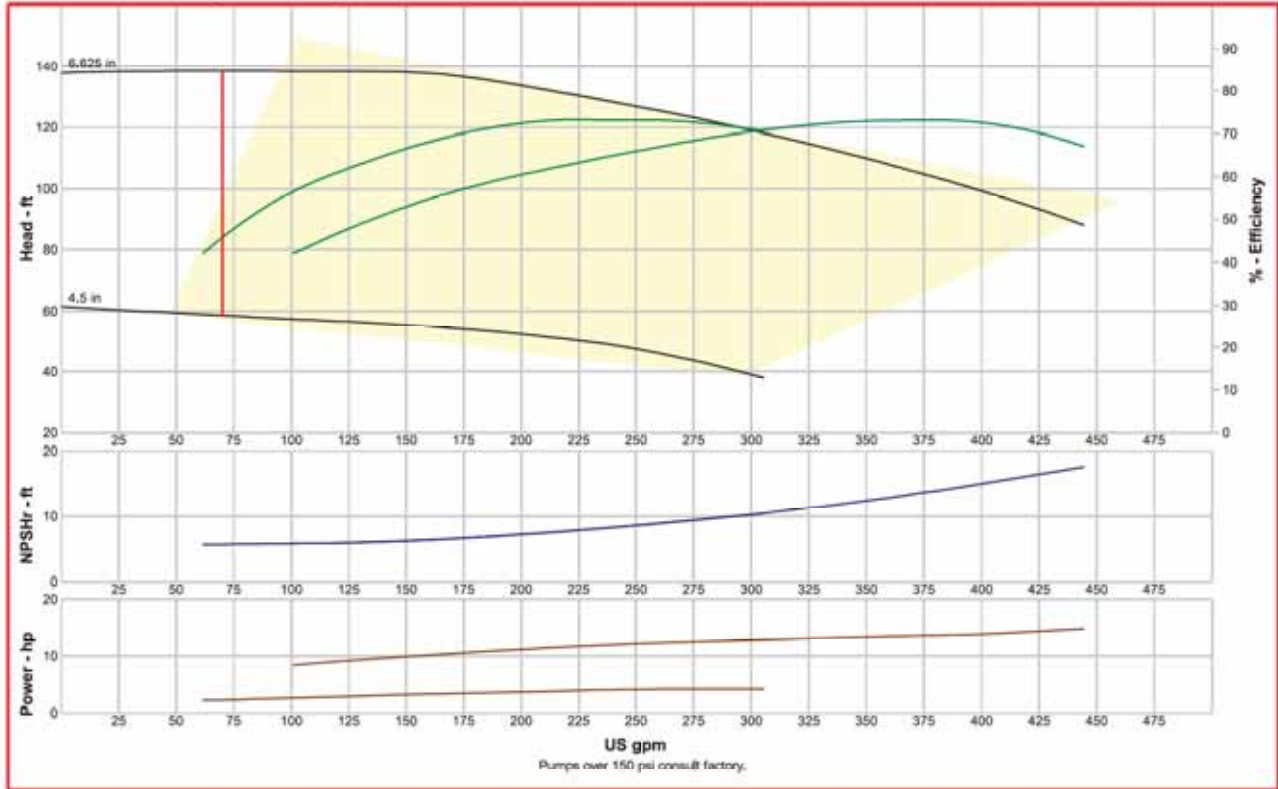
Z number	Depth of immersion		Weight		Flow @ Head		Thread	Height Motor		Power	Voltage	Rated	SF
	inch	mm	lbs	kg	Gpm	l/min		inch	mm				
Z218101(STD)	13.937	354.0	590	268.18	400	1514	NPT 3	26.062 661.97	25 18.66		208/230 460	58 29	72.6 36.3
Z218102 (+6)	19.937	506.4	612	278.18	Ft.	m							
Z218103 (+12)	25.937	658.8	634	288.18	160	48.78							
Z218104 (+18)	31.937	811.2	656	298.18									
Z218105 (+24)	37.937	963.6	678	308.18									



11032NS Performance Data

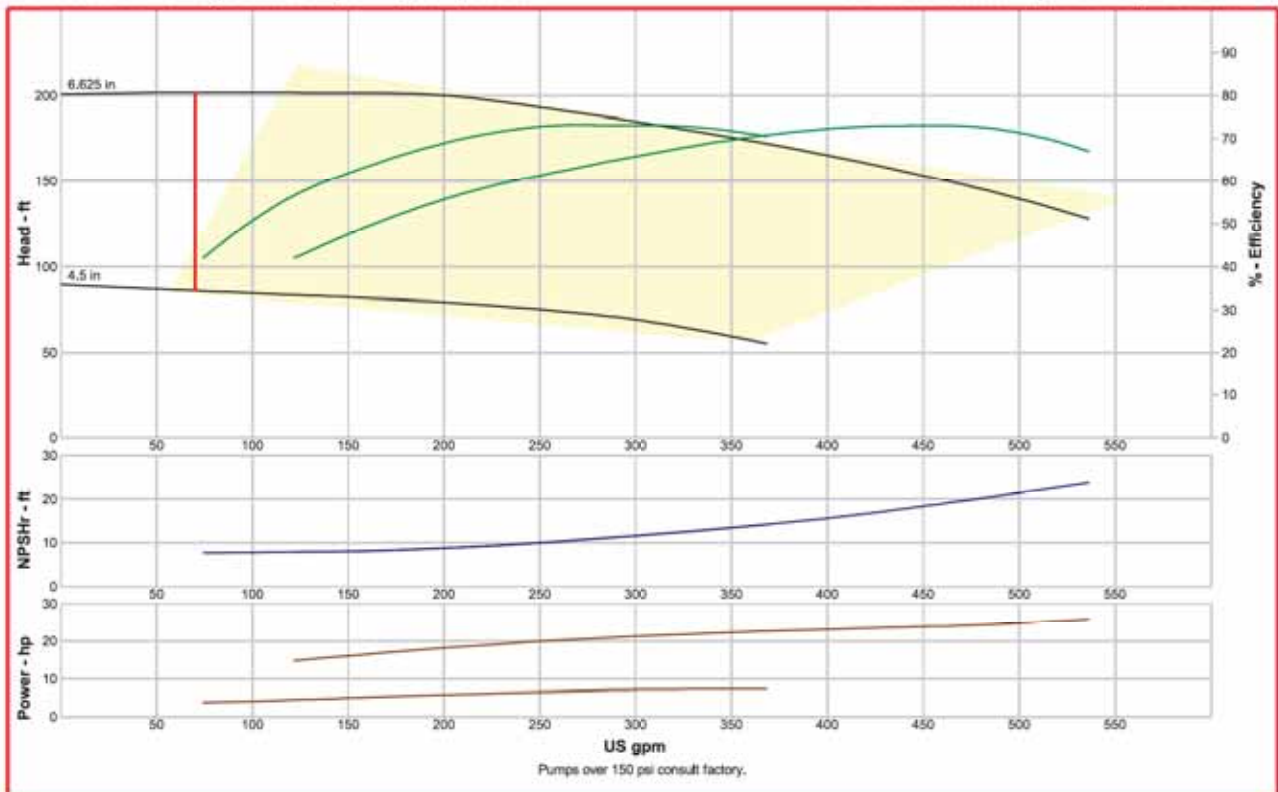
VERT7800 - 3000 Catalog: Gusher Pump Catalog 50Hz, Vers 3.0

Size: 11032E-CIHorJP Speed: 2860 rpm Dia: 6.625 in



VERT7800 - 3600 Catalog: Gusher Pump Catalog 60Hz, Vers 3.0

Size: 11032E-CIHorJP Speed: 3450 rpm Dia: 6.625 in

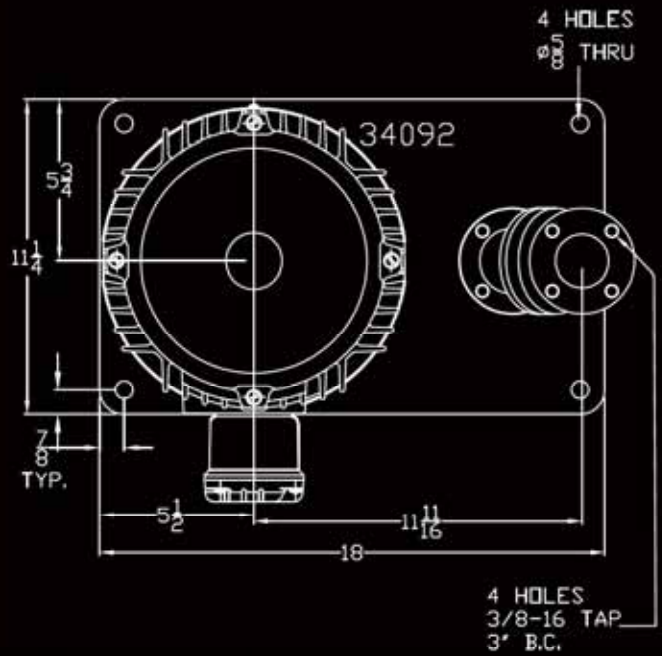
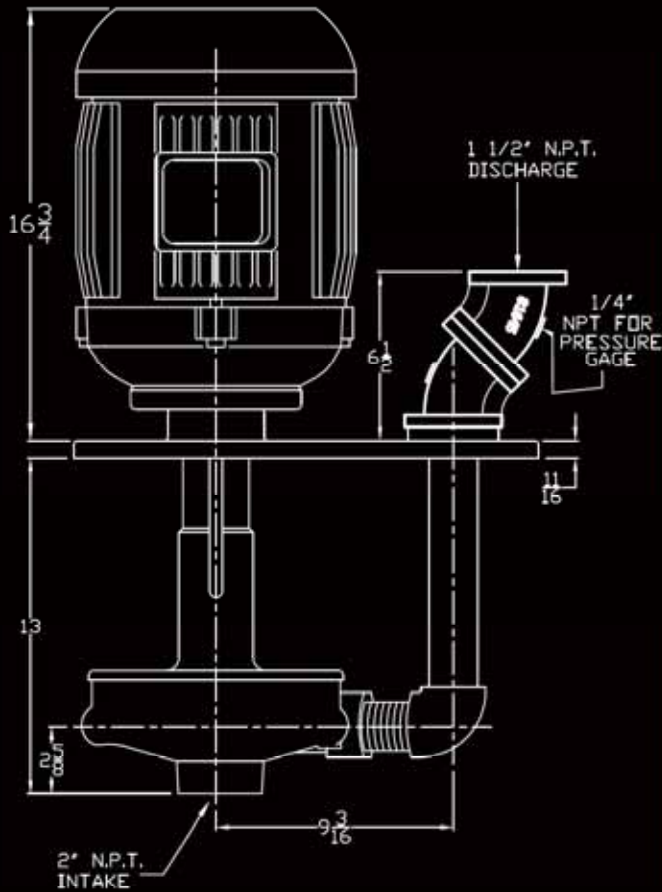




11034NS-SE-VD

7.5HP

WITH IMPELLER DIAMETER 7.250



ALSO AVAILABLE IN HORIZONTAL

Model: 11034NS-SE-VD Speed: 3450 RPM Hertz: 60 Impeller Dia: 7.250

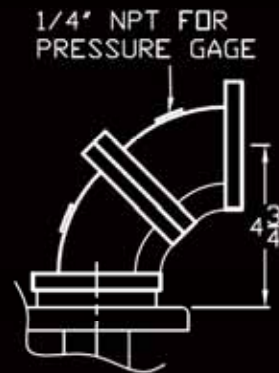
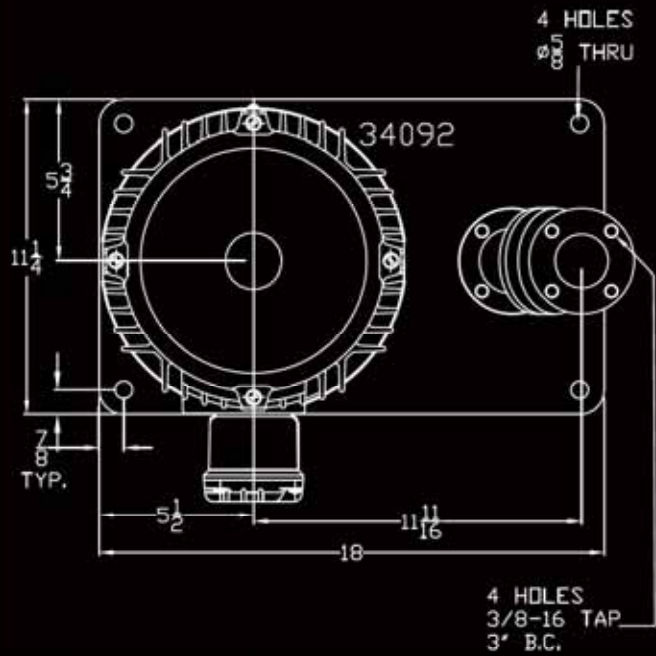
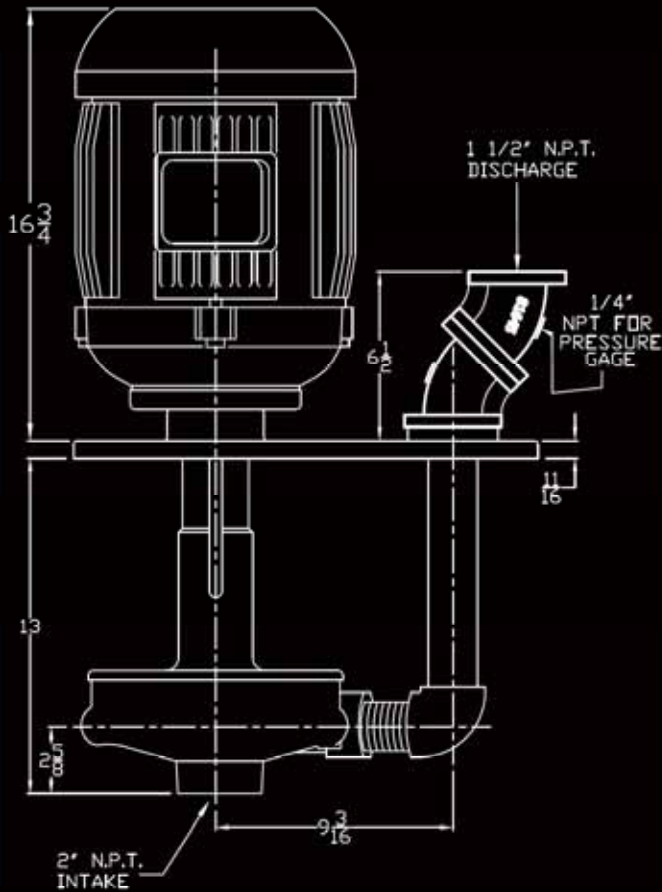
Z number	Depth of immersion		Weight		Flow @ Head		Thread	Height Motor	Power	Voltage	Rated	SF	
	inch	mm	lbs	kg	Gpm	l/min							
Z218112 (STD)	13	330.2	270	122.73	50	189.25	NPT 1.5	16.5	7.5	208/230	17.3	21.6	
Z218113 (+6)	19	482.6	292	132.73	Ft.	m		419.1	5.60				460
Z218114 (+12)	25	635.0	314	142.73	231	70.43							
Z218115 (+18)	31	787.4	336	152.73									
Z218116 (+24)	37	939.8	358	162.73									



11034NS-SE-VD

7.5HP

WITH IMPELLER DIAMETER 6.750



ALSO AVAILABLE IN HORIZONTAL

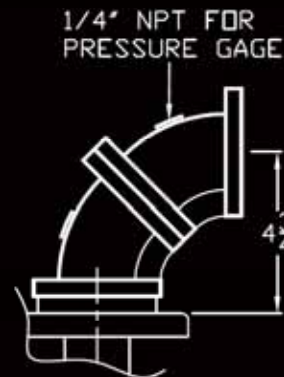
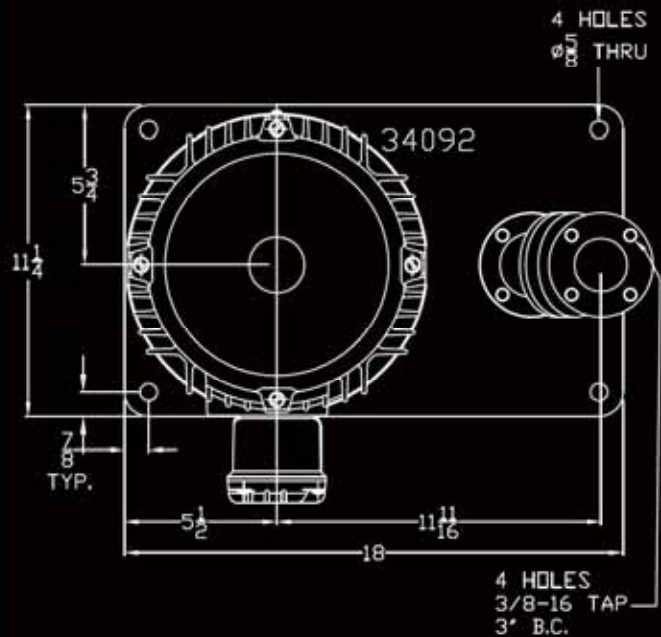
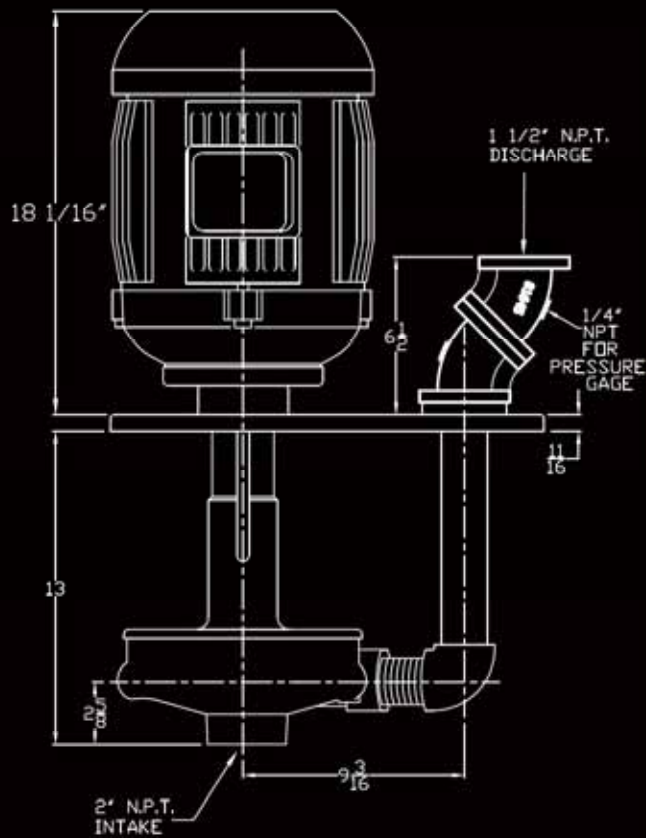
Model: 11034 NS-SE-VD Speed: 3450 RPM Hertz: 60 Impeller Dia: 6.750

Z number	Depth of immersion		Weight		Flow @ Head		Thread	Height Motor	Power	Voltage	Rated	SF
	inch	mm	lbs	kg	Gpm	l/min						
Z218117 (STD)	13	330.2	270	122.73	100	378.5	NPT 1.5	16.5 419.1	7.5 5.60	3 phase 208/230 460	current Amps	current Amps
Z218118 (+6)	19	482.6	292	132.73	Ft.	m						
Z218119 (+12)	25	635.0	314	142.73	190	57.93						
Z218120 (+18)	31	787.4	336	152.73								
Z218121 (+24)	37	939.8	358	162.73								



11034NS-SE-VD

10HP



ALSO AVAILABLE IN HORIZONTAL

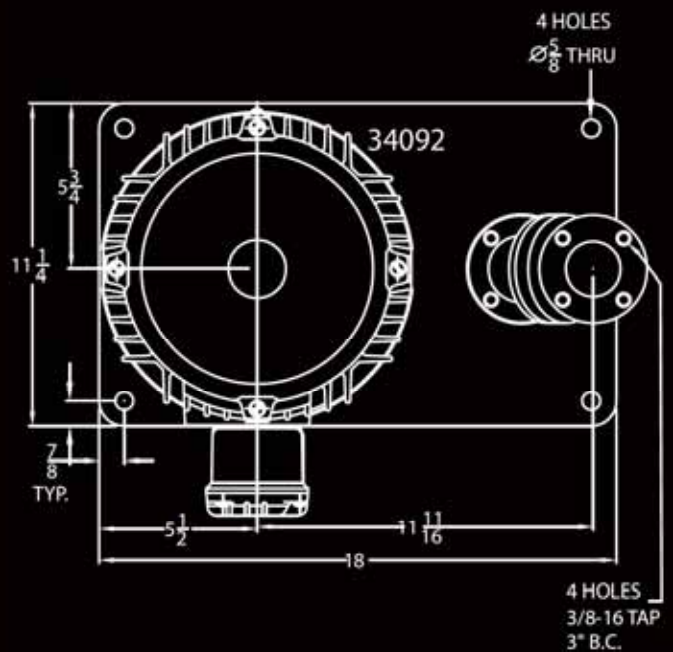
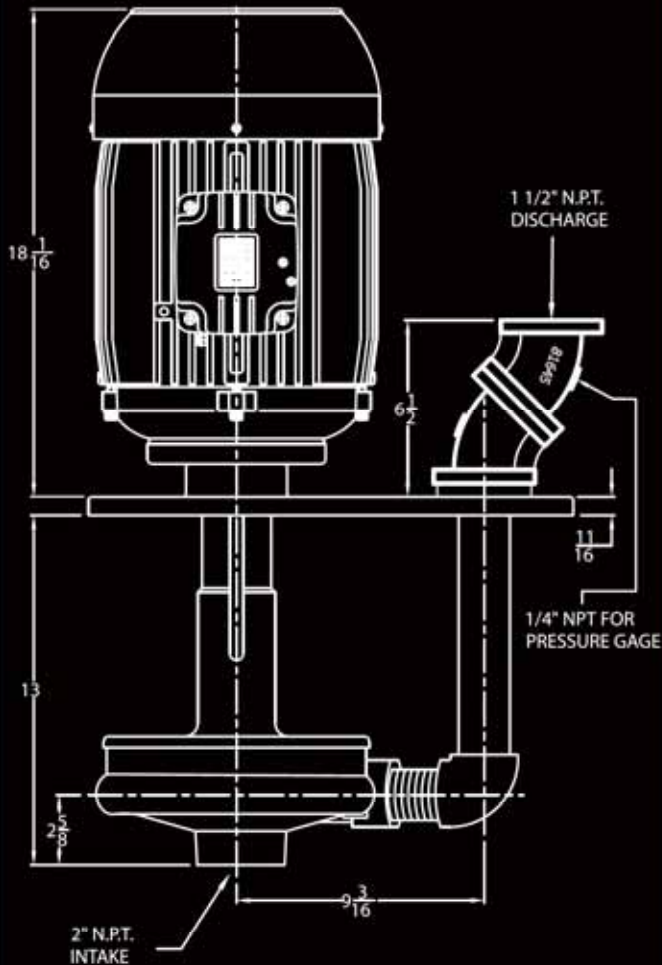
Model: 11034NS-SE-VD Speed: 3450 RPM Hertz: 60 Impeller Dia: 6.875

Z number	Depth of immersion		Weight		Flow @ Head		Thread	Height Motor		Power	Voltage	Rated	SF	
	inch	mm	lbs	kg	Gpm	l/min		inch	mm					HP
Z218122 (STD)	13	330.2	325	147.73	150	567.75	NPT 1.5	16.562	420.67	10	7.46	208/230	11.7	14.65
Z218123 (+6)	19	482.6	347	157.73	Ft.	m								
Z218124 (+12)	25	635.0	369	167.73	180	54.88								
Z218125 (+18)	31	787.4	391	177.73										
Z218126 (+24)	37	939.8	413	187.73										

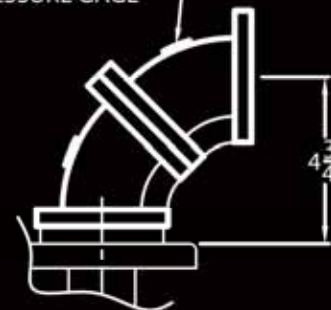


11034NS-SE-VD

15HP



1/4" NPT FOR PRESSURE GAGE



ALSO AVAILABLE IN HORIZONTAL

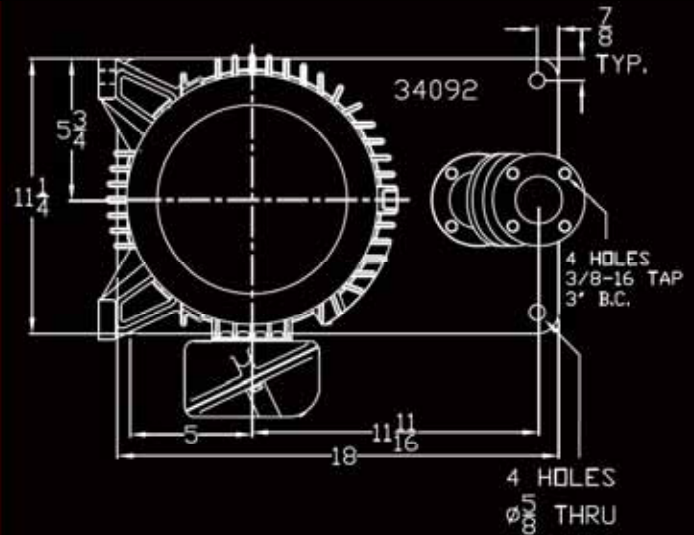
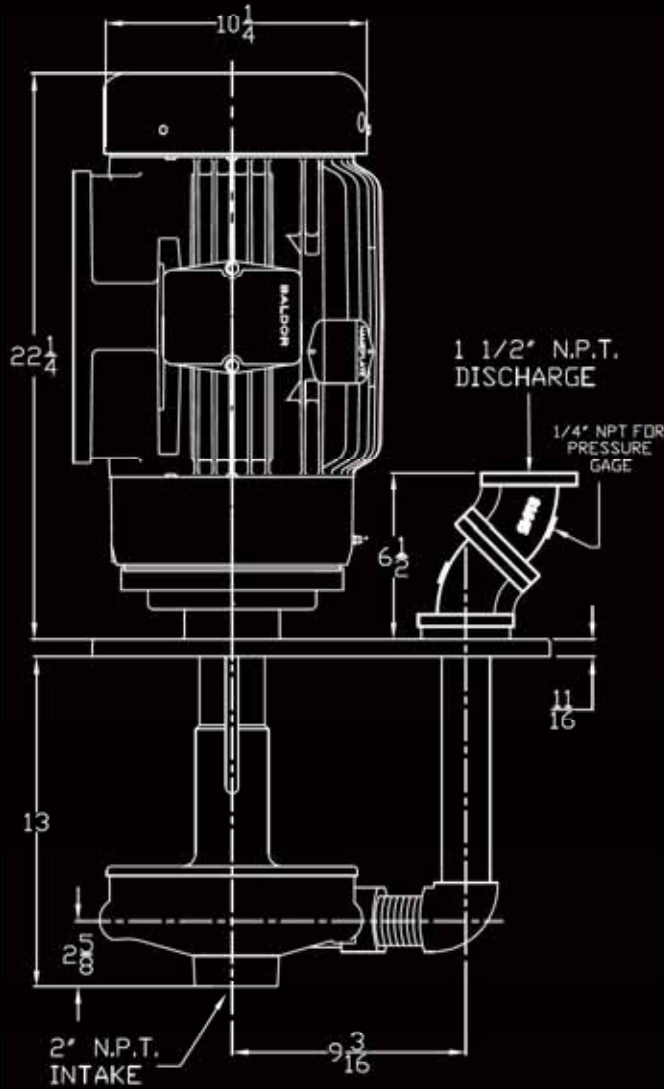
Model: 11034NS-SE-VD Speed: 3450 RPM Hertz: 60 Impeller Dia: 7.355

Z number	Depth of immersion		Weight		Flow @ Head		Thread	Height Motor		Power	Voltage	Rated	SF	
	inch	mm	lbs	kg	Gpm	l/min		inch	mm					HP
Z218127 (STD)	13	330.2	280	127.27	200	757	NPT 1.5	16.562	420.67	15	11.19	208/230	33.6	42
Z218128 (+6")	19	482.6	302	137.27	Ft.	m		420.67	11.19					
Z218129 (+12)	25	635.0	324	147.27	180	54.88								
Z218130 (+18)	31	787.4	346	157.27										
Z218131 (+24)	37	939.8	368	167.27										



11034NS-SE-VD

20HP



ALSO AVAILABLE
IN HORIZONTAL

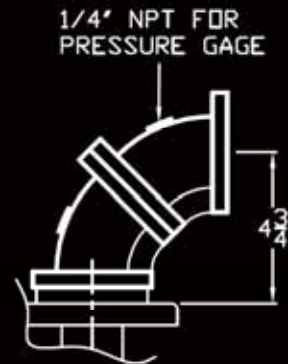
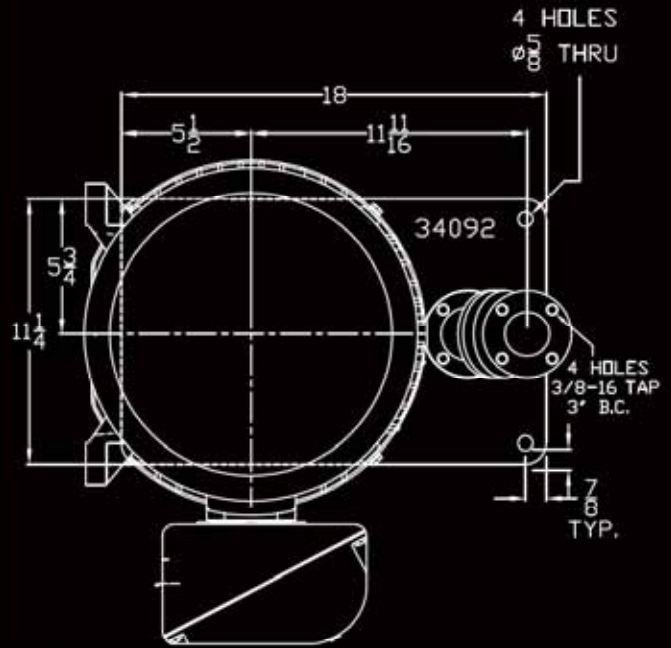
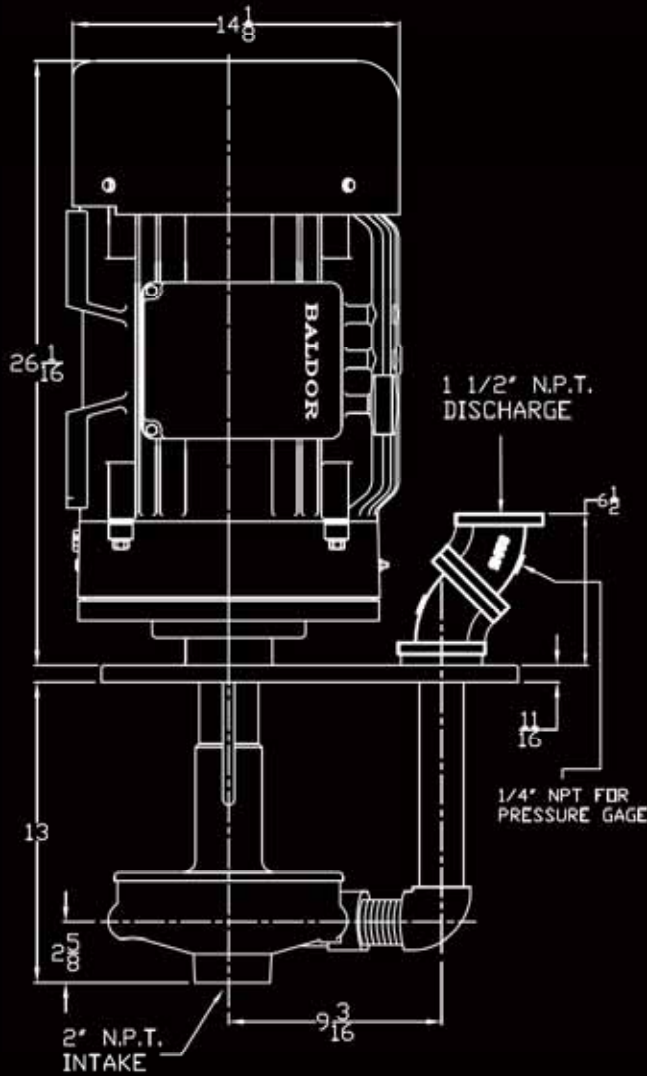
Model: 11034NS-SE-VD Speed: 3450 RPM Hertz: 60 Impeller Dia: 8.000

Z number	Depth of immersion		Weight		Flow @ Head		Thread	Height Motor		Power	Voltage	Rated	SF
	inch	mm	lbs	kg	Gpm	l/min		inch	mm				
Z218132 (STD)	13	330.2	440	200.00	200	757	NPT 1.5	22.25	565.15	20 14.93	208/230 460	58 29	72.6 36.3
Z218133 (+6)	19	482.6	462	210.00	Ft.	m							
Z218134 (+12)	25	635.0	484	220.00	248	75.61							
Z218135 (+18)	31	787.4	506	230.00									
Z218136 (+24)	37	939.8	528	240.00									



11034NS-SE-VD

25HP



ALSO AVAILABLE
IN HORIZONTAL

Model: 11034NS-SE-VD Speed: 3450 RPM Hertz: 60 Impeller Dia: 8.062

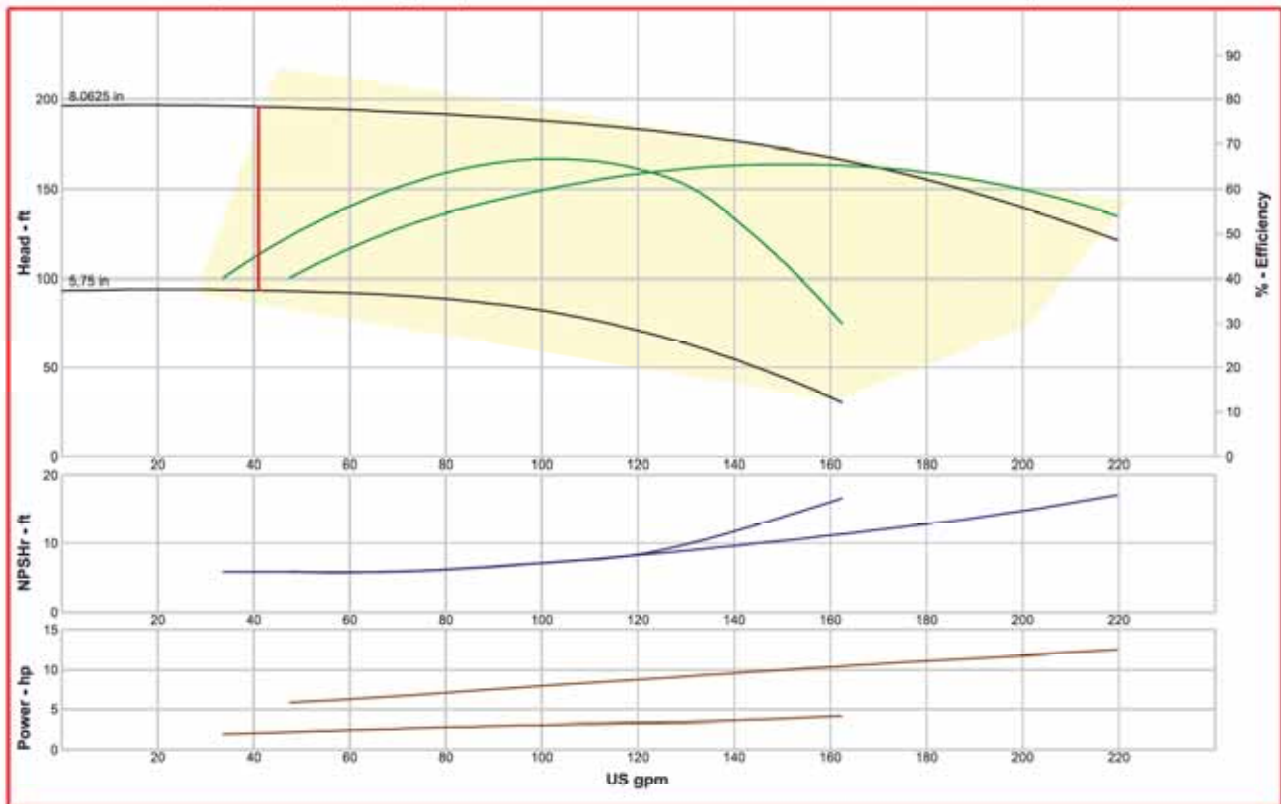
Z number	Depth of immersion		Weight		Flow @ Head		Thread	Height	Power	Voltage	Rated	SF
	inch	mm	lbs	kg	Gpm	l/min						
Z218186	13	330.2	585	265.91	260	984.1	NPT 3	26.062 661.9748	25 18.66	3 phase	current Amps	current Amps
Z218187	19	482.6	607	275.91	Ft.	m						
Z218188	25	635.0	629	285.91	190	57.93				208/230	58	72.6
Z218189	31	787.4	651	295.91						460	29	36.3
Z218190	37	939.8	673	305.91								



11034NS Performance Data

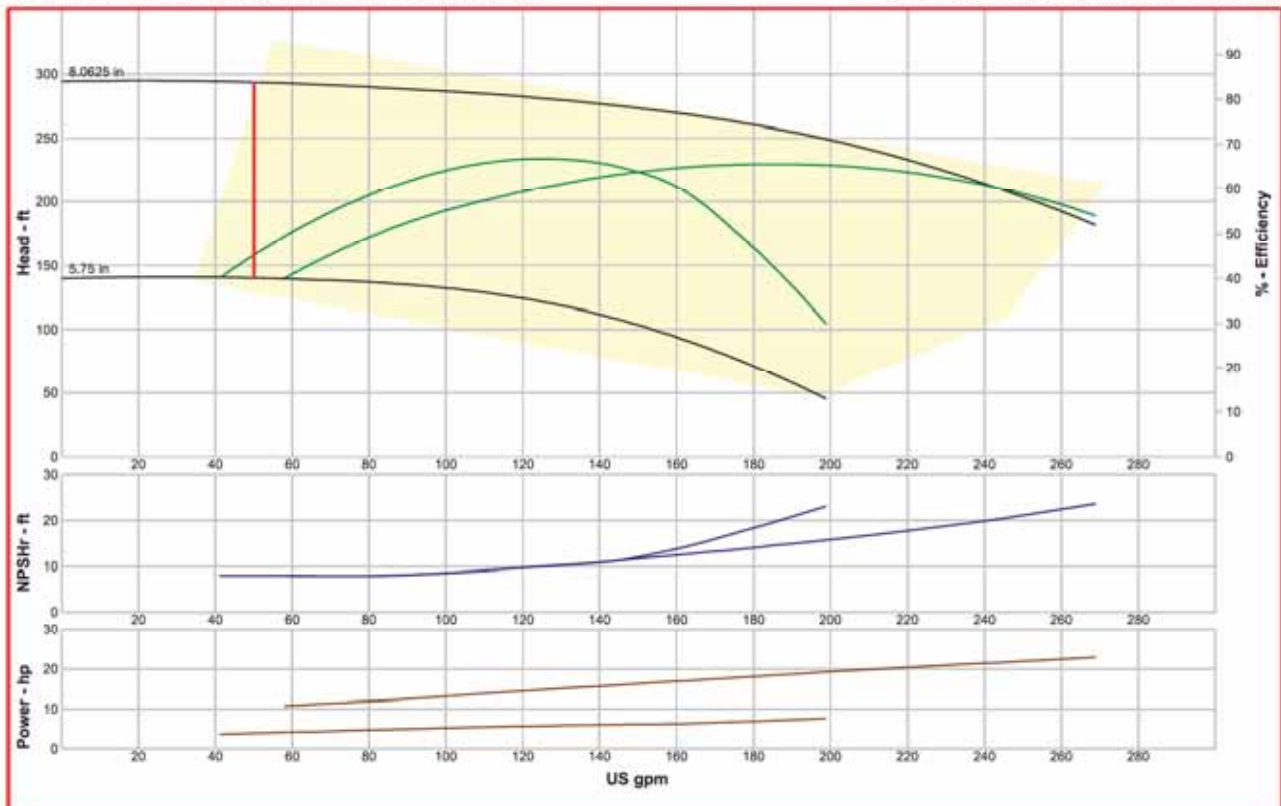
VERT7800 - 3000 Catalog: Gusher Pump Catalog 50Hz, Vers 3.0

Size: 11034-E Speed: 2860 rpm Dia: 8.0625 in



VERT7800 - 3600 Catalog: Gusher Pump Catalog 60Hz, Vers 3.0

Size: 11034-E Speed: 3500 rpm Dia: 8.0625 in





7800 Series AVD Pumps...Quality Under Pressure.

Gusher AVD Model Features...

The Gusher AVD models 11019, V11019 SE, 11031, 11032 and 11034 featured are designed to be reliable and versatile. Their heavy duty one-piece shaft construction has no seals, bushings or metal-to-metal contact below the mounting plate, assuring a long, maintenance free life. All models are above the plate discharge and are available in cast iron or stainless steel construction.

Gusher AVD Model Applications...

The AVD design may be used for a wide variety of applications, including industrial washing machines, cooling towers, parts cleaners, spray booths, industrial sump applications, paint systems, and many other applications. For more information, visit and browse at www.Gusher.com



Ruthman Companies: A family-owned business supplying pumps for over 100 years

Ruthman Companies was co-founded in 1912 by brothers Alois and Edward Ruthman as the "Ruthman Machinery Company." Based in Cincinnati, the company serviced the steamboats that traveled the Ohio River.

In 1924, Alois conceived the first sealless centrifugal pump, coining the term 'coolant pump.' The brothers named this new pump "Gusher," giving birth to what is now Ruthman Companies Flagship brand, Gusher Pumps. Alois' son Thomas R. Ruthman joined the family business in 1949, growing the business globally through organic growth and the acquisition of complementary pump technologies. In the early 1990's, Alois' grandson, Thomas G. Ruthman, became the third generation of Ruthmans in the pump business. Over the years, Ruthman Companies has expanded its product line from the original centrifugal coolant pumps to include valves, positive displacement pumps, tube cutters, shimmy dies, and other specialized equipment, while upholding its reputation as a leader in the custom engineering of pumps for the most challenging applications.

GUSHER PUMPS LOCATIONS

Williamstown Headquarters

115 Industrial Road
Williamstown, KY 41097
Phone: 859.824.5001
Fax: 859.824.3011
Email: Info@Gusher.com

Dry Ridge Manufacturing

22 Ruthman Drive
Dry Ridge, KY 41035
Phone: 859.824.5001
Fax: 859.824.3011
Email: Info@Gusher.com

Dry Ridge Training Facility

3565 Dixie Highway
Dry Ridge, KY 41035
Phone: 859.824.5001
Email: Info@Gusher.com

California Sales & Service

8226 Salt Lake Avenue
Cudahy, CA 90201
Phone: 323.773.0847
Fax: 323.773.0958
Email: FConrad@Gusher.com

Newcastle Sales & Service

403 North Ninth Street
New Castle, IN 47362
Phone: 765.529.5624
Fax: 765.521.0008
Email: GusherNC@Gusher.com

RUTHMAN COMPANIES MANUFACTURING DIVISIONS

Fulflo Hydraulic Valves

www.Fulflo.com
Blanchester, Ohio

Process Systems, Inc.

Headquarters
www.PSI4Pumps.com
Warren, Michigan

Process Systems, Inc.

Midwest Service
www.PSI4Pumps.com
Mellott, Indiana

Nagle Pumps

www.NaglePumps.com
Chicago Heights, Illinois

RAE Pumps

www.RAEPumps.com
Cincinnati, Ohio

Ruthman Pumps & Service

www.RuthmanCompanies.com
Cincinnati, Ohio

RUTHMAN COMPANIES GLOBAL DIVISIONS

Ruthmann Pumpen, LLC

www.RuthmannPumpen.de
Baesweiler, Germany

Gusher Pumps, Shanghai

www.Gusher.com
Shanghai, China

RUTHMAN COMPANIES HEADQUARTERS

7236 Tylers Corner Drive
West Chester, OH 45069

Phone: 513.559.1901

Fax: 513.559.0035

www.RuthmanCompanies.com



RUTHMAN
Engineering Pump Solutions™

RC19-022/03-20