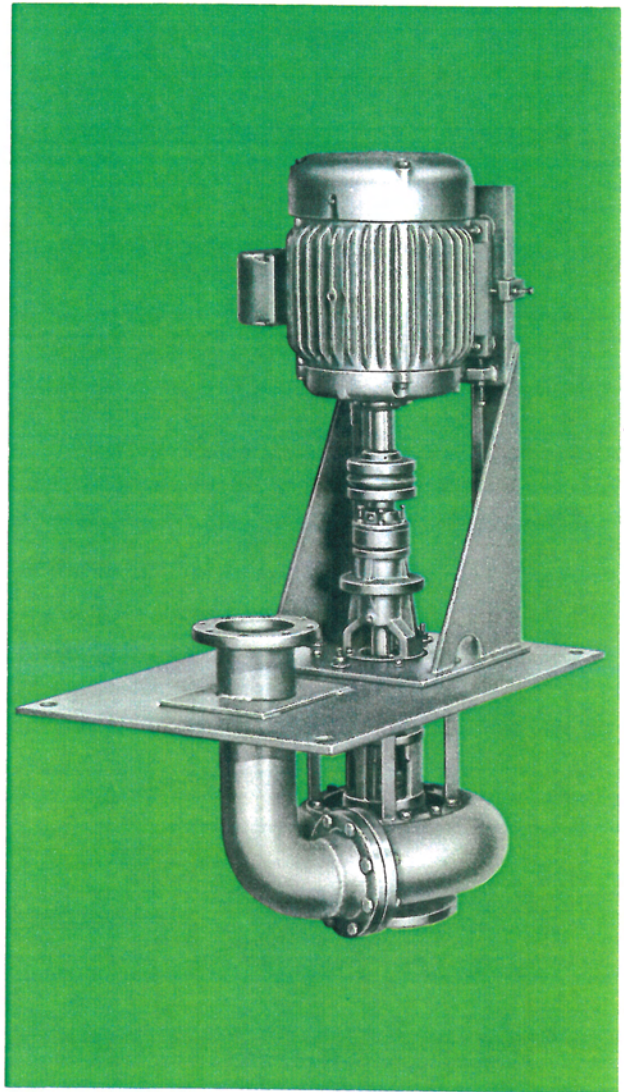
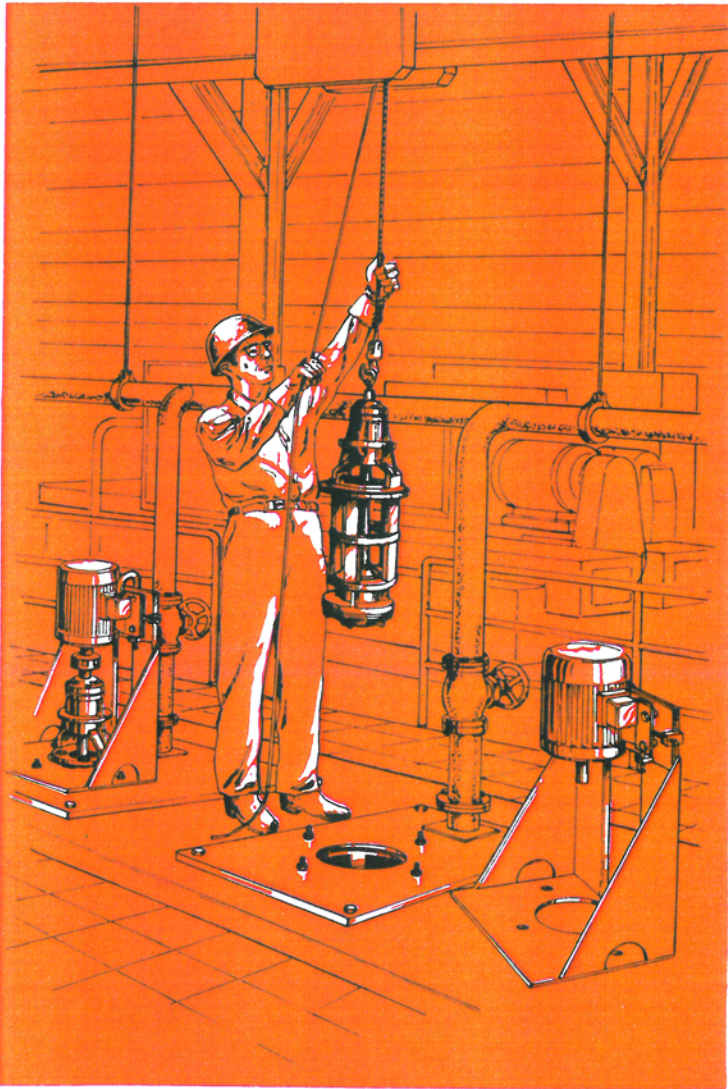


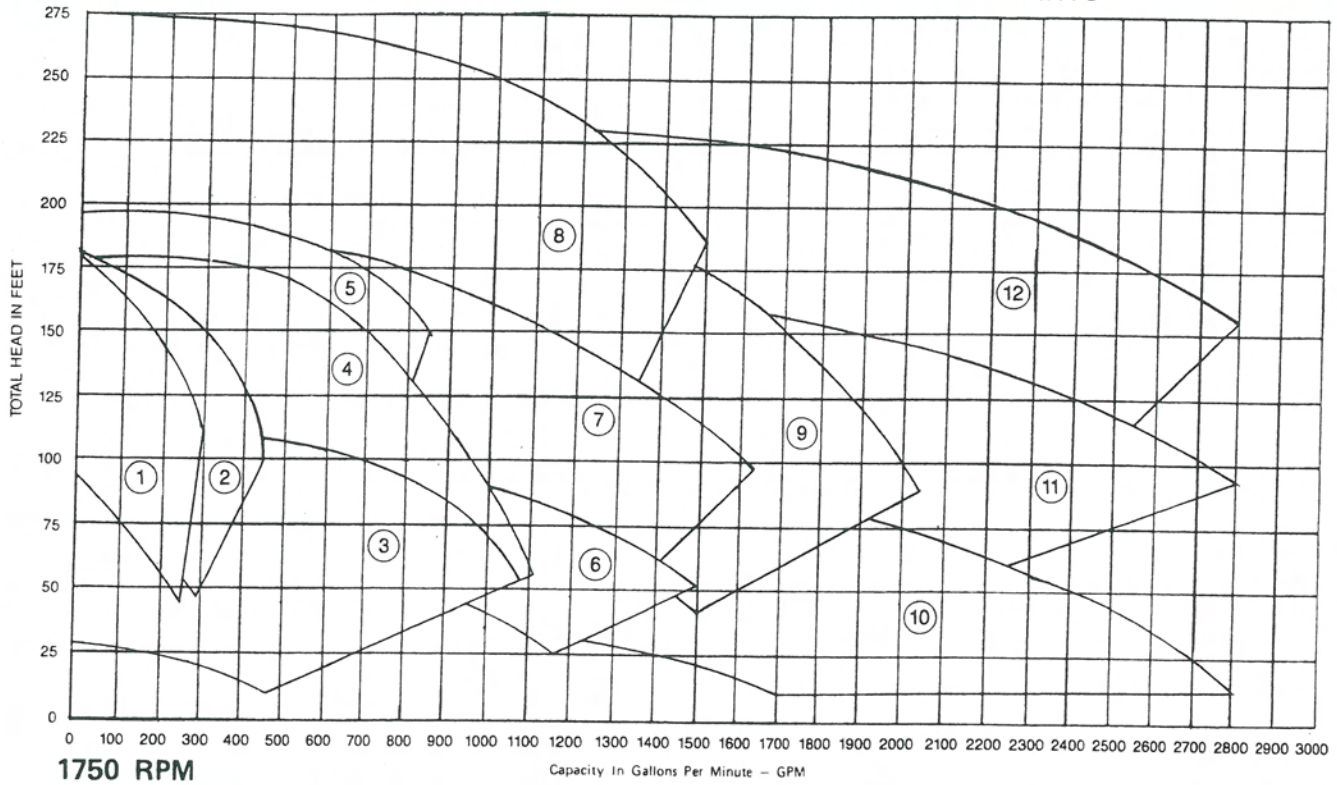
GUSHER[®]



**7600 SERIES TOP PULL OUT
VERTICAL END SUCTION
CENTRIFUGAL
PUMPS**

CAPACITY AND PERFORMANCE

CAPACITY AND PERFORMANCE SELECTION CHARTS

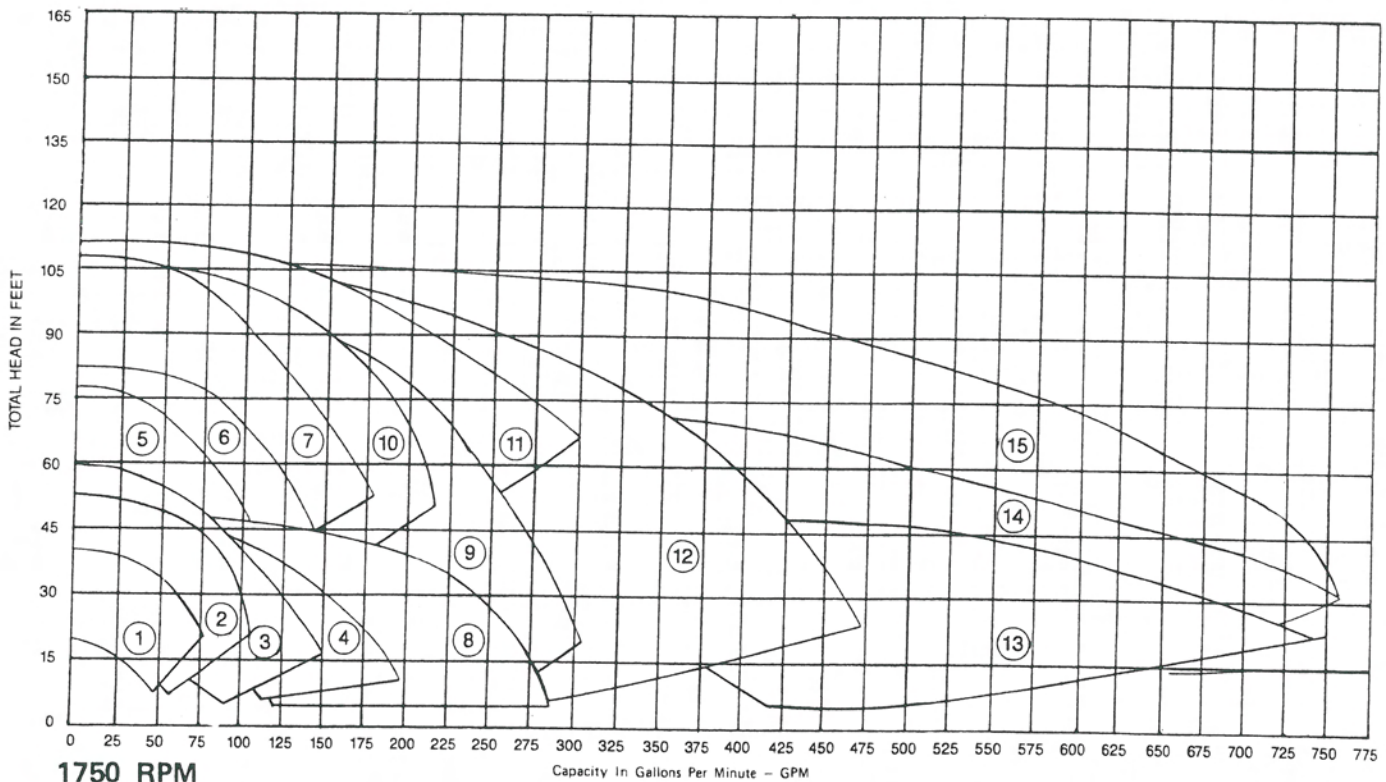


- 1. TCL - 1½ x 3 - 13SE
- 2. TCL - 2 x 3 - 13SE
- 3. T - 4 x 5 - 11SE

- 4. T - 4 x 5 - 13 SE
- 5. TCL - 3 x 4 - 13SE
- 6. TCL - 4 x 6 - 10SE

- 7. TCL - 4 x 6 - 13SE
- 8. TCL - 5 x 6 - 16E
- 9. T - 6 x 6 - 14E

- 10. T - 6 x 8 - 11SE
- 11. TCL - 6 x 8 - 13SE
- 12. TCL - 6 x 8 - 15SE



- 1. TCL - 1 x 1.50 x 6SE
- 2. T - 1.25 x 1.50 x 7SE
- 3. T - 1.50 x 2 x 7SE

- 4. T - 2 x 2.50 x 7SE
- 5. TCL - 1 x 1.50 x 8SE
- 6. T - 1.25 x 1.50 x 9SE

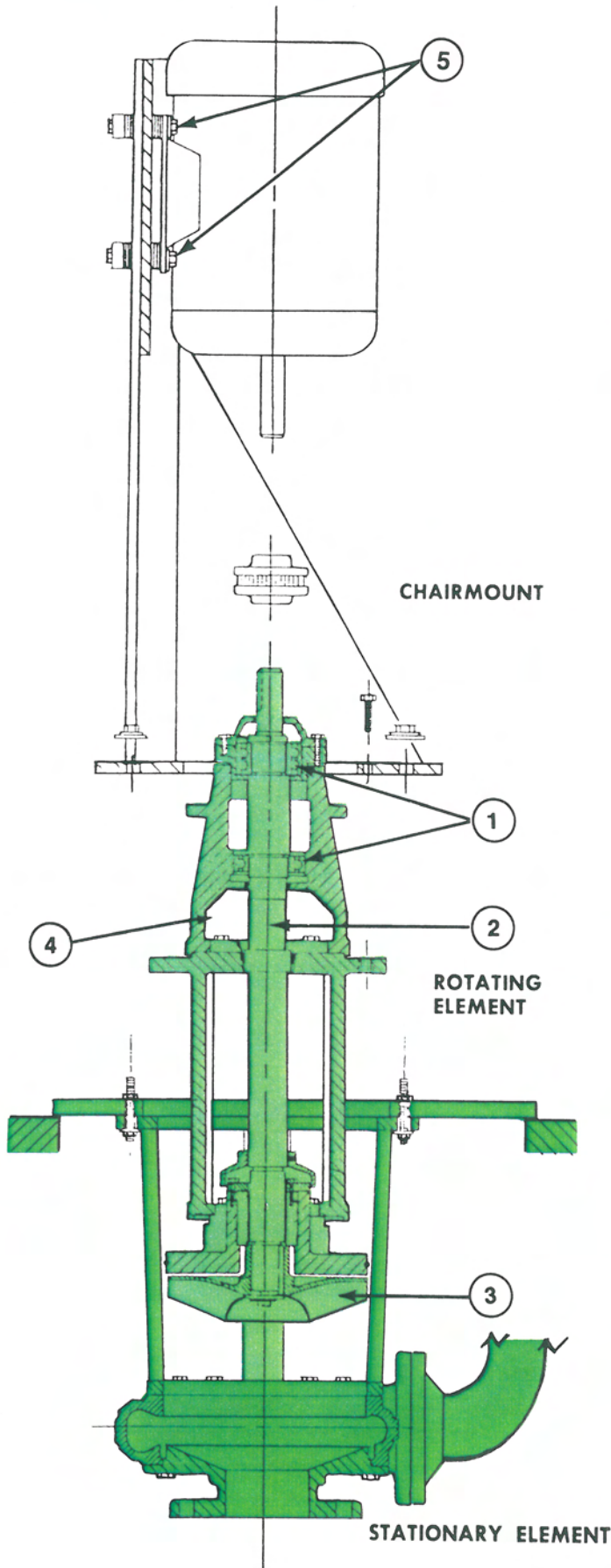
- 7. TCL - 1.50 x 3 x 10SE
- 8. T - 2.50 x 3 x 7SE
- 9. T - 2 x 2.50 x 10SE

- 10. T - 1.50 x 2 x 10SE
- 11. TCL - 2 x 3 x 10SE
- 12. T - 2.50 x 3 x 10SE

- 13. T - 4 x 5 x 7SE
- 14. TCL - 3 x 4 x 8SL
- 15. T - 3 x 4 x 10SE

FOR INDIVIDUAL PUMP PERFORMANCE CURVES SEE PAGES 33-59

TOP PULL OUT CONSTRUCTION



Top Pull Out

7600 series is designed to minimize maintenance. If maintenance is required, rotating element can be removed without disturbing mounting plate or piping. All 7600 series have external impeller adjustment for ease in maintenance and continued high efficiency. All models come with motor aligning screws, which cuts coupling adjustment time to a fraction of the conventional methods of adding or removing shims.

Proven Design

The Gusher 7600 Series has been designed to give heavy duty pumping service in a wide range of industrial applications. Each phase of its production has been carefully controlled to insure long life and minimum maintenance.

Handles Wide Range of Application

- Spray Booths
- Phosphate Systems
- Filtration Systems
- Paint Systems
- Industrial Spray Washers
- Coolant Systems

Capacities

Sizes in the 7600 Series range from 1¼" to 8" discharge with heads up to 230 feet @ 1750 RPM. Capacities up to 2800 GPM. (3600 RPM Pumps are available—selection through distributor or factory).

Features

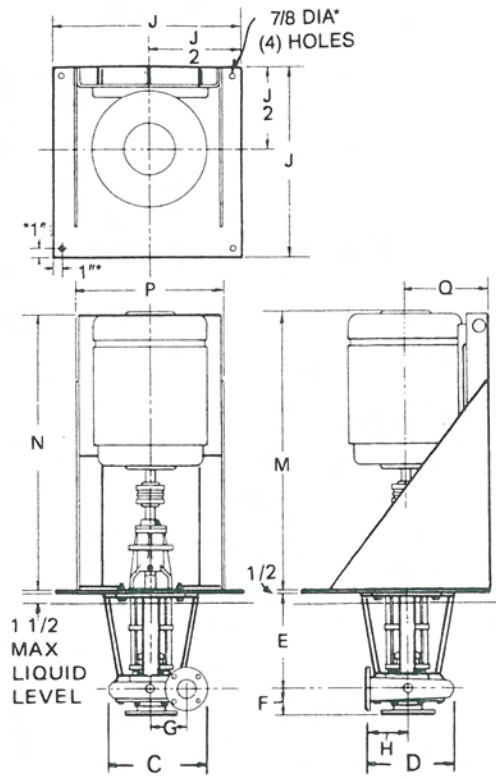
1. **Bearings** — oversize heavy duty type supplied with grease fittings and located above base plate out of corrosive area.
2. **Shaft** — extra heavy, made of high strength steel.
3. **Impeller** — proven design and external adjustable clearance increases efficiency and performance. Enclosed or semi-enclosed are available.
4. **Air Space** — this feature is a real advantage when pumping paint or other liquids that have a tendency to foam and overflow your tank, overflow will not damage ball bearings in power frame.
5. **Motor Alignment** — exclusive motor mounting arrangement allows easy motor alignment in the field.

Materials of Construction

The Gusher 7600 Series is available with a selection of materials to meet every need. Pumps can be furnished with cast iron construction, stainless construction, stainless fitted construction, as well as bronze fitted construction.

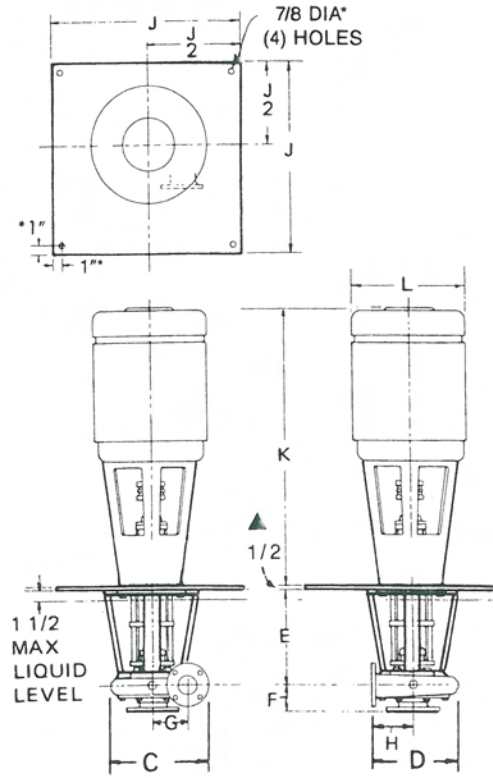
SIZE AND DIMENSIONS WITHOUT DISCHARGE PIPE

CHM Style



CHAIR MOUNTED

CDM Style



BARREL MOUNTED

7600 Series

MODEL NO.	CONNECTION NPT THD	525 RSE	POWER FRAME	E	F	G	H	J	C	D
TCL 1 1/4 x 1.50 x 8SE		X	**52	15.25	4		6.5	18	9	11.75
TCL 1 1/4 x 1.50 x 8SE		X	52	15.31	4		6.5	18	11.12	11.75
T-1.25 x 1.50 x 8SE	X		52	15.87	3.37	3.75	4	18	9.62	9.56
T-1.25 x 1.50 x 8SE	X		52	15.49	3.56	4.71	5	18	11.62	11.25
T-1.50 x 2 x 7SE	X		52	15.68	3.43	4.92	5	18	10.50	10.25
T-1.50 x 2 x 7SE	X		52	15.83	3.53	5.50	6	18	13.37	12.87
TCL 1.50 x 2 x 10SE		X	52	14.27	4		8.50	10	14	15.37
TCL 1.50 x 2 x 13SE		X	52	14.75	4		10.50	24	16.75	18.52
T-2 x 1.50 x 7SE	X		52	15.75	3.68	4.12	5	18	10.87	10.43
T-2 x 1.50 x 10SE	X		52	15.81	4.06	5.80	6.25	18	13.68	13
TCL 2 x 2 x 10SE		X	52	15.31	4		9.50	24	13.50	16.25
TCL 2 x 2 x 13SE		X	52	15.50	4		11.50	24	17.37	20.18
T-2.50 x 1.5 x 7SE		X	52	15.80	3.93	4.25	5.50	24	13.12	11.18
T-2.50 x 1.5 x 10SE		X	52	15.82	4.06	5.75	6.75	24	15.87	13.82
TCL 3 x 1 x 8SE		X	52	15.187	4		11	24	14	17.87
T-3 x 1 x 10SE		X	52	15.23	4.25	8	7	24	17	14.4
TCL 3 x 1 x 13SE		X	52	15.27	4		12.50	24	18.25	21.50
T-4 x 1 x 7SE		X	52	16	4.87	4.75	7.50	24	15	14
T-4 x 1 x 10SE		X	52	15.75	4.75	7.12	8.50	24	20	17.18
T-4 x 1 x 13SE		X	52	15.88	4.187	8	8.50	24	21.18	17.81
TCL 4 x 1 x 10SE		X	52	15.18	4		13.50	30	15.62	21.81
TCL 4 x 1 x 13SE		X	52	15.312	4		13.50	30	19	22
TCL 5 x 1 x 8SE		X	53	16.52	5.75		15.75	36	22.18	28.75
T-5 x 1 x 10SE		X	53	16.57	7.5	10.50	10.50	36	26.62	23
T-5 x 1 x 13SE		X	52	15.55	3.62	8.87	9	32	24	20.81
T-5 x 1 x 11SE		X	53	17.25	3.62	8.87	9	32	24	20.81
TCL 6 x 1 x 10SE		X	53	17.37	6		16	36	21.62	27.25
TCL 6 x 1 x 13SE		X	54	17.12	6		18	36	24.62	30.81

Dimensions which vary with Motor Frame Size Dimensions for 52 P.F. for 53 & 54 P.F. consult factory

BARREL MOUNTED	APPROX. K	L	CHAIR MOUNTED	M	N	P	Q
143TC	30 1/16	7 3/4	143T	31 1/2	32 1/4	15	7 3/4
145TC	30 1/16	7 3/4	145T	31 1/2	32 1/4	15	7 3/4
182TC	35 7/16	9 1/2	182T	32 1/16	32 1/4	15	7 3/4
184TC	35 7/16	9 1/2	184T	33 1/16	32 1/4	15	7 3/4
213TC	39 3/16	10 3/8	213T	36	32 1/4	15	7 3/4
215TC	39 3/16	10 3/8	215T	37 1/2	32 1/4	15	7 3/4
254TC	43 5/16	12 3/8	254T	41 3/16	36 3/4	17	8 3/4
256TC	43 5/16	12 3/8	256T	43	36 3/4	17	8 3/4
284TC	43 3/8	13 3/4	284T	45	42 1/4	21	10 3/4
286TC	43 3/8	13 3/4	286T	46 1/2	42 1/4	21	10 3/4
324TC	46 5/16	15 3/4	324T	47 7/8	42 1/4	21	10 3/4
326TC	46 5/16	15 3/4	326T	49 7/16	42 1/4	21	10 3/4
			364T	54 3/4	47 1/4	30	13 1/2
			365T	55 3/4	47 1/4	30	13 1/2
			404T	55 7/8	47 1/4	30	14 1/2
			405T	57 3/8	47 1/4	30	

Longer lengths are available in 6" and 12" extensions only.

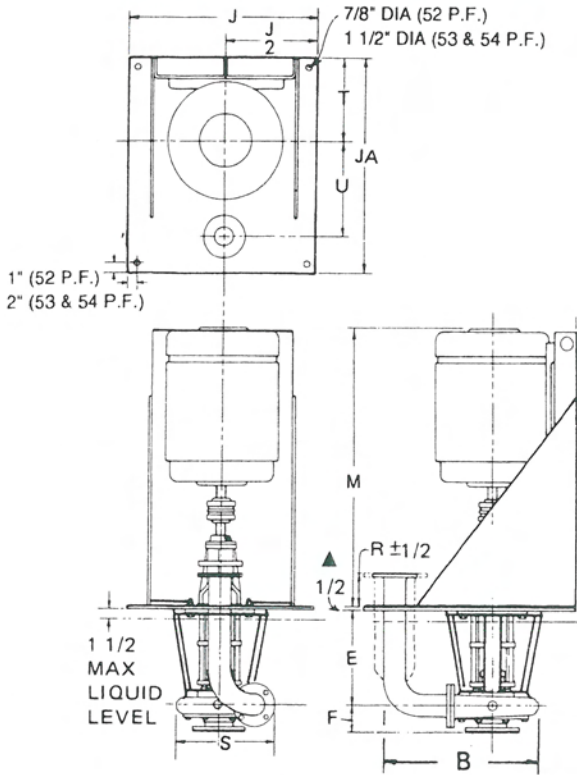
**For short models subtract 6" from 'E' dimension.

▲Plate thickness for 53 & 54 P. frames is 1".

*Dimensions are for 52 power frame only.

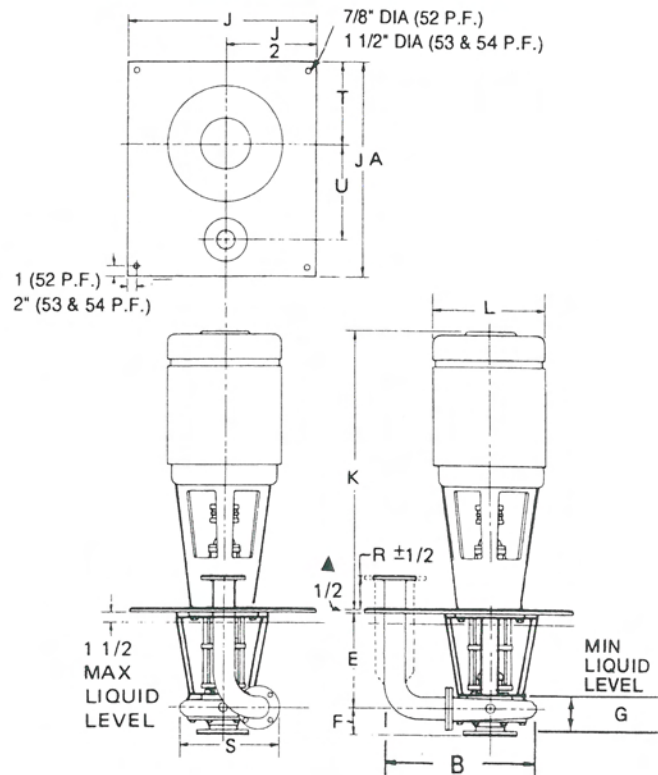
SIZE AND DIMENSIONS WITH DISCHARGE PIPE

CHM Style



CHAIR MOUNTED
WITH DISCHARGE PIPE

CDM Style



BARREL MOUNTED
WITH DISCHARGE PIPE

7600 SERIES

STANDARD MODELS	MODELS WITH OVERSIZE DISCH. PIPE	CONNECTION NPT THD	150 ASE	POWER FRAME	**E	F	J	JA	STD R	O.S. R	S	T	U Approx.	B Std.	B Over Size	G
TCL-1 x 1.50 x 6SE	TCL-1.50 x 1.50 x 6SE		X	52	15.25	4	18	26	6	6	9	8.50	10.25	16.12	16.43	4
TCL-1 x 1.50 x 8SE	TCL-1.50 x 1.50 x 8SE		X	52	15.31	4	18	26	6	6	11.12	8.50	10.25	16.12	16.43	4
T-1.25 x 1.50 x 7SE	T-1.50 x 1.50 x 7SE	X		52	15.687	3.37	18	26	5.87	5.87	10	8.50	11.93	18.06	18.31	4
T-1.25 x 1.50 x 9SE	T-1.50 x 1.50 x 9SE	X		52	15.43	3.56	18	26	6.18	6.25	11.50	8.50	10.50	17.37	17.50	4
T-1.50 x 2 x 7SE	T-2 x 2 x 7SE	X		52	15.68	3.43	18	26	6.06	6.06	10.37	8.50	10.43	16.81	17.25	4
T-1.50 x 2 x 10SE	T-2 x 2 x 10SE	X		52	15.68	3.53	18	26	6.06	6.06	12.75	8.50	11.875	19.25	20	5
TCL-1.50 x 3 x 10SE	TCL-2 x 3 x 10SE		X	52	14.87	4	18	26	6	6	14	8.50	13.25	22.45	22.68	5
TCL-1.50 x 3 x 13SE	TCL-2 x 3 x 13SE		X	52	14.75	4	24	36	6	6	16.87	10.50	15.18	24.37	24.62	5
T-2 x 2.50 x 7SE	T-2.50 x 2.50 x 7SE	X		52	15.75	3.68	18	26	6.25	6.18	10.68	8.50	10.125	17.18	17.87	5
T-2 x 2.50 x 10SE	T-2.50 x 2.50 x 10SE	X		52	15.81	4.08	18	26	6.18	6.12	13.12	8.50	12.31	20.62	20.87	5
TCL-2 x 3 x 10SE	TCL-3 x 3 x 10SE		X	52	15.31	4	24	36	6	6	14	10.50	15	24.43	25	6
TCL-2 x 3 x 13SE	TCL-3 x 3 x 13SE		X	52	15.50	4	24	36	6	6	17.37	10.50	17	28.18	28.75	5
T-2.50 x 3 x 7SE	T-3 x 3 x 7SE	X		52	15.50	3.93	24	36	6.25	7	10.75	10.50	12.75	19.75	19.75	5
T-2.50 x 3 x 10SE	T-3 x 3 x 10SE	X		52	15.62	4.06	24	36	6.18	6.18	13	10.50	14.50	22.62	22.62	5
TCL-3 x 4 x 8SE	TCL-4 x 4 x 8SE		X	52	15.187	4	24	36	6	6	14	10.50	18.25	27	27.50	5
T-3 x 4 x 10SE	T-4 x 4 x 10SE	X		52	15.43	4.25	24	36	6.56	6.66	14.75	10.50	15.50	21.50	24.50	5
TCL-3 x 4 x 13SE	TCL-4 x 4 x 13SE		X	52	15.37	4	24	36	6	6	18.25	10.50	19.75	30.50	31	7
T-4 x 5 x 7SE	T-5 x 5 x 7SE	X		52	16	4.87	24	36	5.81	4.31	12	10.50	17.25	26	26	8
T-4 x 5 x 11SE	T-5 x 5 x 11SE	X		52	15.75	4.75	24	36	3.75	4.5	16	10.50	19	30	30	6
T-4 x 5 x 13SE	T-5 x 5 x 13SE	X		52	15.68	4.18	24	36	3.81	4.56	18.56	10.50	19.25	30.50	30.50	5
TCL-4 x 6 x 10SE	TCL-5 x 6 x 10SE		X	52	15.18	4	24	36	4	5	15.75	10.50	20.50	31	31.53	6
TCL-4 x 6 x 13SE	TCL-5 x 6 x 13SE		X	52	15.31	4	24	36	4	5	19	10.60	20.50	32.75	33.28	6
TCL-6 x 6 x 16SE	TCL-6 x 6 x 16SE		X	53	16.62	5.75	32	48	6	6	22.25	14	24.25	39.43	39.93	10
T-6 x 6 x 14SE	T-8 x 6 x 14SE	X		53	15.56	7.5	32	48	5.37	6.87	23.87	14	22.62	36.68	37.68	10
T-6 x 8 x 11SE	T-8 x 8 x 11SE	X		52	15.56	3.62	24	36	6.25	7.75	20.62	10.50	20.37	34.62	34.62	8
T-6 x 8 x 13SE	T-8 x 8 x 13SE	X		53	17.25	3.62	32	48	4.50	6	20.62	14	20.37	34.62	34.62	8
TCL-6 x 8 x 13SE	TCL-8 x 8 x 13SE		X	53	17.37	6	32	48	4.25	6	22	14	25.50	40.06	41.06	11
TCL-6 x 8 x 15SE	TCL-8 x 8 x 15SE		X	54	17.12	6	32	48	6	6	25	14	27.50	45.31	46.31	11

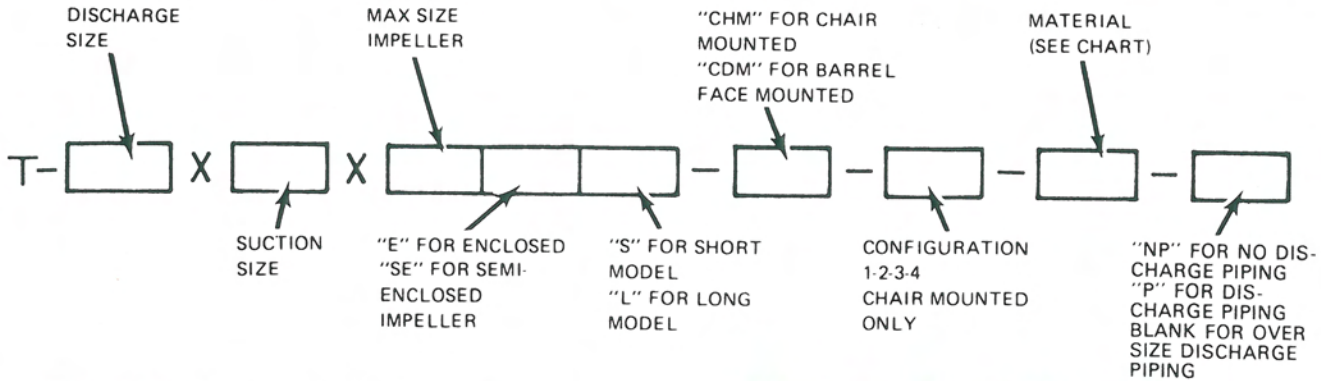
**For short models subtract 6" from 'E' Dimension.

*Plate thickness for 53 & 54 P. frames is 1".

*Dimensions are for 52 power frame only.

ORDERING INFORMATION

Order the Gusher 7600 Series Pump to meet your needs by model number. The model number should be specified as follows:



EXAMPLE: For ordering a Chair Mounted Pump with a 5" discharge and 6" diameter suction with a semi-enclosed impeller of 9" maximum. Iron construction, discharge piping and motor mounted in #1 position. The model number for ordering description would be: **5 x 6 x 9SE-CHM-1-A-P**

Materials of Construction

Material Designation	Type	Description
A	All Iron	cast iron construction
B	Stainless Steel	316 stainless steel wetted parts
C	Stainless Steel Fitted	316 stainless steel shaft and impeller
D	Bronze Fitted	bronze impeller

Motor Specifications

Please furnish the following information on all orders: Horsepower, Frame Size, Voltage, RPM, Hertz and Phase. If a special motor is required specify: i e Delco GM-7EQ.

The **Chairmounted Pump** is designed to accept a Nema Frame Foot Mounted Motor. The **Barrel Mounted Pump** will accept a Nema Frame "C" Face Motor.

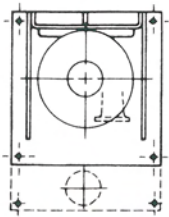
Note: If motor is ordered it will be factory mounted unless otherwise specified.

We Can Help

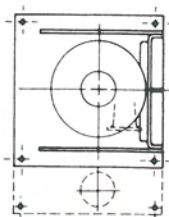
Our engineering department will help you select the proper pump for your application. Call or write. Performance Curves are available on all pumps.

Configurations

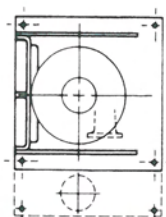
Most Chair Mounted Pump models are available in four Configurations as follows:



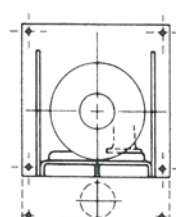
1



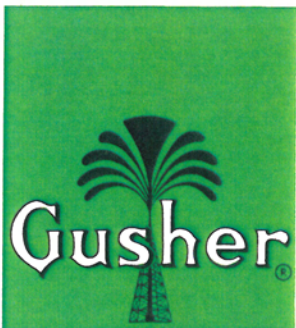
2



3



4



PUMPS

SUBSIDIARY OF THE RUTHMAN MACHINERY CO.