



# 45HB, 70HB

HIGH PRESSURE CENTRIFUGAL BOOSTER PUMP



### FEATURES

**Multi-Stage Design:** This configuration provides a steady, quiet and vibration-free operation for years of trouble-free service.

**Impellers and Diffusers:** Glass filled thermoplastic. Precision molded for high efficiencies.

**Bowls:** Constructed with 300 series stainless steel. Rabbet lock for positive alignment - no gaskets required.

**Mechanical Seal:** Carbon/ceramic faces. BUNA elastomers 300 series stainless steel metal parts.

**Motor:** Close-coupled design. Ball bearings carry all radial/axial thrust loads. Designed for continuous operation. All ratings are within working limits of the motor.

**WARNING:** This is a booster pump. It has no lift capability. DO NOT RUN DRY. DO NOT DEADHEAD.

Wide variety of industrial, commercial and agricultural uses, especially:

- High rise buildings
- Multiple dwelling buildings
- Reverse osmosis systems
- High pressure cleaning
- Spraying systems
- Booster service
- Capacities: to 100 GPM
- Heads: to 760 feet.
- Pipe connections: Suction 2" NPT, Discharge 2" NPT.
- Temperature: 160°F (71°C) maximum.
- Inlet pressure: 100 PSI maximum.
- Rotation: right hand, i.e., clockwise when viewed from motor end.
- Open drip-proof\* or TEFC\* enclosure 60 Hz, 3500 RPM. Threaded shaft extension.
- Single phase: 3 HP 115/208-230 V  
5 HP 208-230 V  
7½ HP 208-230 V.
- Three phase: 3-10 HP 208-230/460 V.

\* Premium efficiency where required by Department of Energy regulations.

### MODELS

Order No.*	HP	No. of Stages	Phase	Enclosure**	Frame	W.E.L.	Weight (lbs.)
45HB13012	3	3	1	ODP	182	11½	88
45HB23012	3	2	1	TEFC	184	10⅝	101
45HB13035	3	3	3	ODP	145	11½	59
45HB23035	3	2	3	TEFC	182	10⅝	83
45HB15013	5	5	1	ODP	184	13⅝	100
45HB25013	5	4	1	TEFC	213	12¾	147
45HB15035	5	5	3	ODP	182	13⅝	80
45HB25035	5	4	3	TEFC	184	12¾	99
45HB17513	7½	7	1	ODP	213	16¼	169
45HB17535	7½	7	3	ODP	184	16¼	103
45HB27535	7½	6	3	TEFC	213	15⅝	150
45HB11135 ①	10	10	3	ODP	213	21½	155
45HB21135	10	8	3	TEFC	215	17½	190
70HB13012	3	2	1	ODP	182	10⅝	86
70HB23012	3	2	1	TEFC	184	10⅝	99
70HB13035	3	2	3	ODP	145	10⅝	57
70HB23035	3	2	3	TEFC	182	10⅝	81
70HB15013	5	4	1	ODP	184	12¾	98
70HB25013	5	3	1	TEFC	213	11½	145
70HB15035	5	4	3	ODP	182	12¾	78
70HB25035	5	3	3	TEFC	184	11½	97
70HB17513	7½	6	1	ODP	213	15⅝	170
70HB17535	7½	6	3	ODP	184	15⅝	101
70HB27535	7½	5	3	TEFC	213	13⅝	148
70HB11135 ①	10	9	3	ODP	213	20¼	153
70HB21135	10	7	3	TEFC	215	17½	188

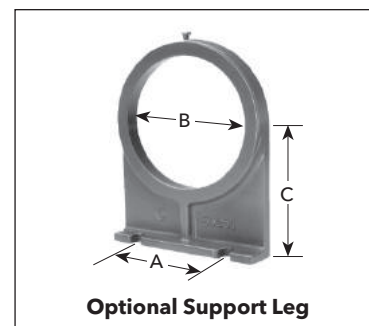
\* Add PE to end of nomenclature for premium efficient versions.

\*\* Premium efficiency where required by Department of Energy regulations.

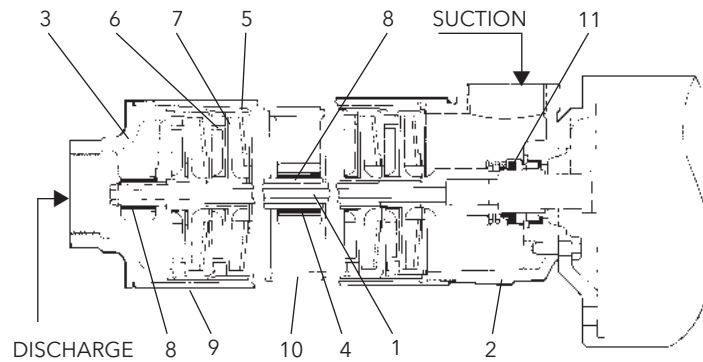
### OPTIONAL SUPPORT LEG - dimensions (in inches)

Model	Frame	A	B	C
AM200	182/184	4⅞	5⅝	4½
AM201	213/215	4⅞	5⅝	5¼

**NOTE:** Support leg is not required for 145 frame motors.



### COMPONENTS

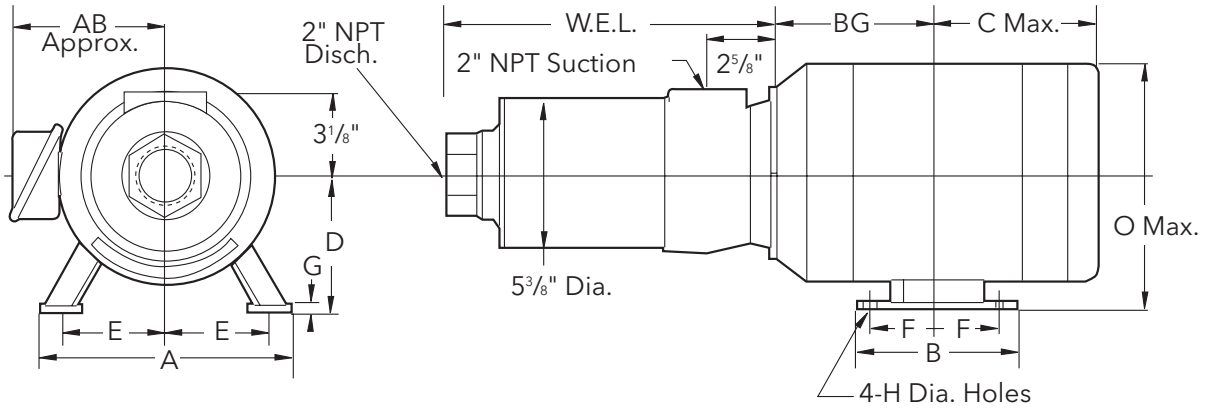


Item No.	Description	Material
1	Hex shaft and coupling	300 series stainless steel
2	Suction housing	Brass (ASTM B584)
3	Discharge head	Brass (ASTM B584)
4	Shaft sleeve	300 series stainless steel
5	Bowl	300 series stainless steel
6	Diffuser	Glass-filled thermoplastic
7	Impeller	Glass-filled thermoplastic
8	Marine bearing	BUNA
9	Casing	300 series stainless steel
10 ①	Intermediate bearing spider	Brass (ASTM B584) - only on 9 and 10 stage units
11	Mechanical seal	Carbon/ceramic faces, BUNA elastomers, 300 series stainless steel metal parts.

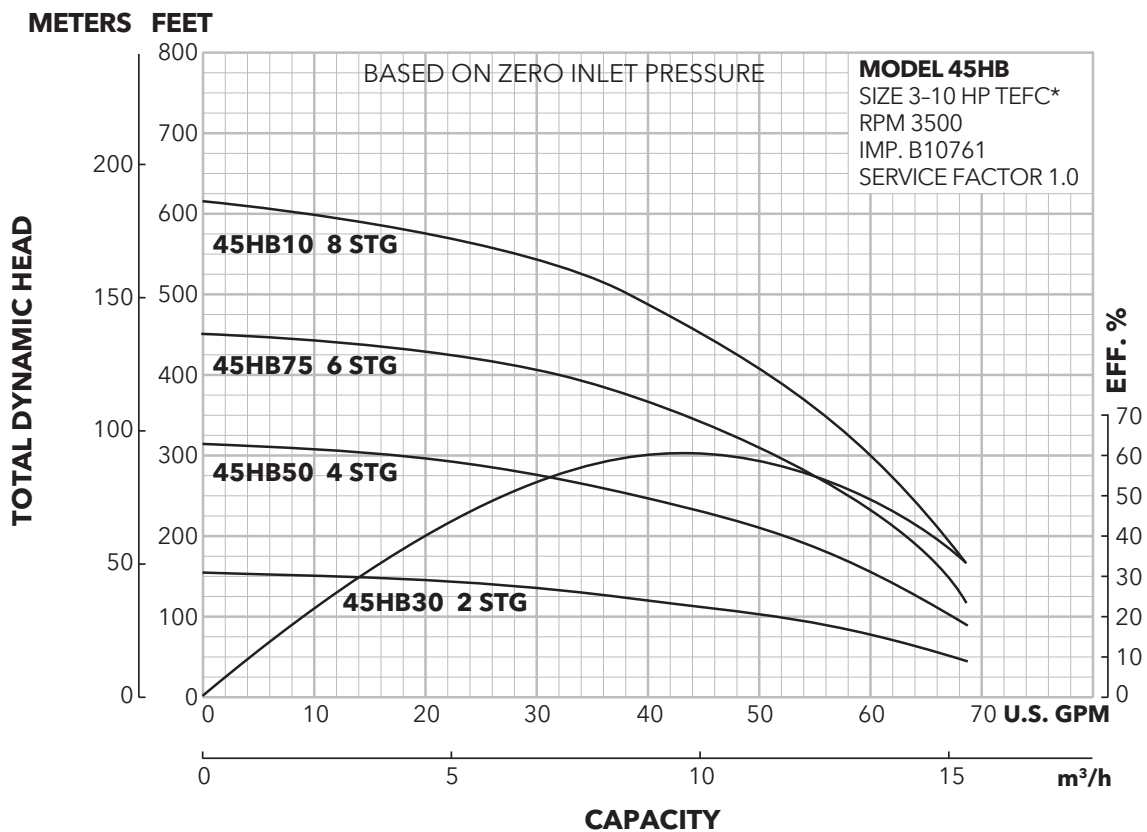
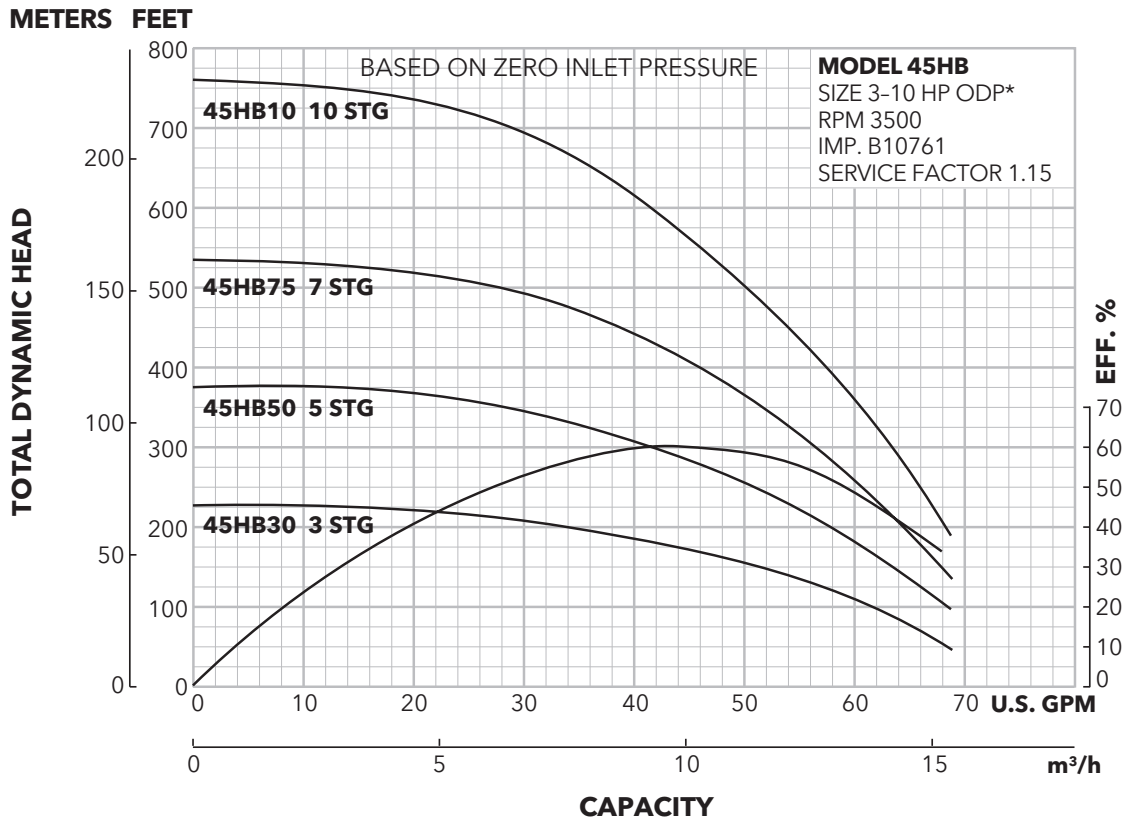
### DIMENSIONS - determined by motor (in inches)

Frame	A	AB	B	BG	C	D	E	F	G	H	O
145	6½	5¼	5 <sup>15</sup> / <sub>16</sub>	4 <sup>7</sup> / <sub>8</sub>	6	3½	2¾	2	<sup>5</sup> / <sub>32</sub>	<sup>11</sup> / <sub>32</sub>	6 <sup>5</sup> / <sub>8</sub>
<sup>182</sup> / <sub>184</sub>	8½	6	6½	5¾	9 <sup>9</sup> / <sub>16</sub>	4½	3¾	2¼	<sup>5</sup> / <sub>32</sub>	<sup>13</sup> / <sub>32</sub>	8½
<sup>213</sup> / <sub>215</sub>	9½	7 <sup>7</sup> / <sub>8</sub>	8	7¼	9 <sup>9</sup> / <sub>16</sub>	5¼	4¼	2¾	<sup>7</sup> / <sub>32</sub>	<sup>13</sup> / <sub>32</sub>	10 <sup>3</sup> / <sub>16</sub>

(All dimensions are in inches. Do not use for construction purposes.)

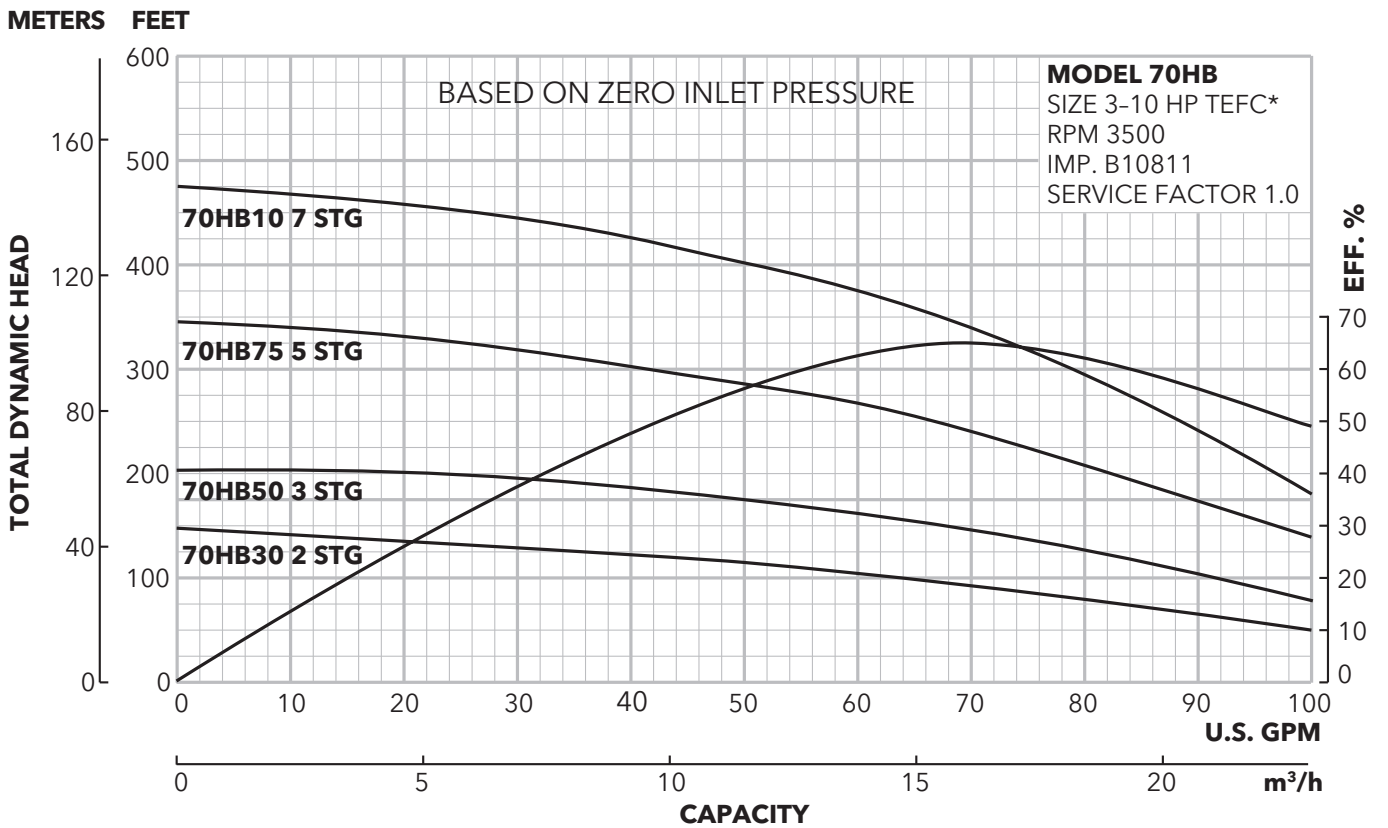
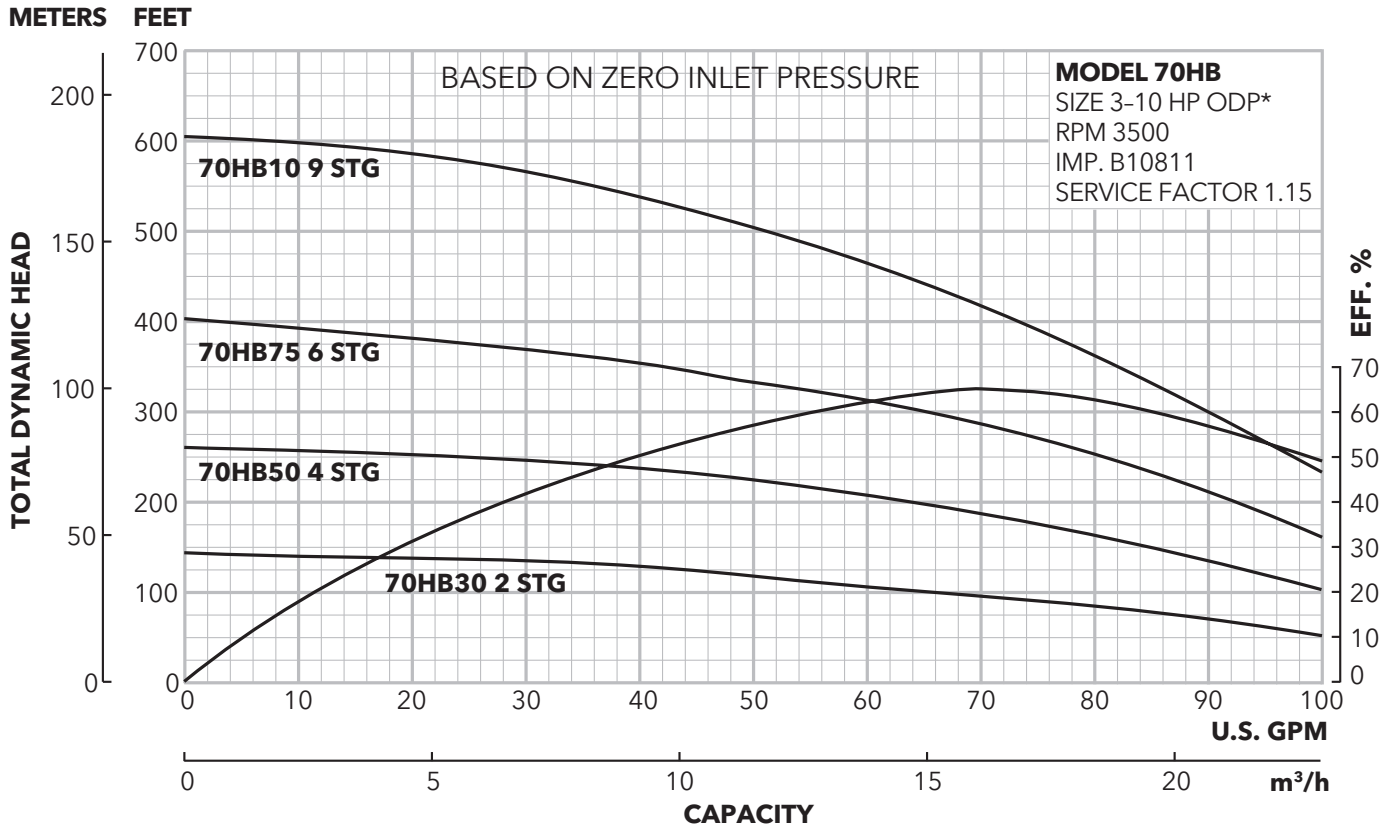


## 45HB CLOSE-COUPLED MULTI-STAGE PUMP CURVES



\* Premium efficiency where required by Department of Energy regulations.

## 70HB CLOSE-COUPLED MULTI-STAGE PUMP CURVES



\* Premium efficiency where required by Department of Energy regulations.

# Xylem |'zīləm|

- 1) The tissue in plants that brings water upward from the roots;
- 2) a leading global water technology company.

We're a global team unified in a common purpose: creating innovative solutions to meet our world's water needs. Developing new technologies that will improve the way water is used, conserved, and re-used in the future is central to our work. We move, treat, analyze, and return water to the environment, and we help people use water efficiently, in their homes, buildings, factories and farms. In more than 150 countries, we have strong, long-standing relationships with customers who know us for our powerful combination of leading product brands and applications expertise, backed by a legacy of innovation.

**For more information on how Xylem can help you, go to [www.xyleminc.com](http://www.xyleminc.com)**



Xylem Inc.  
2881 East Bayard Street Ext., Suite A  
Seneca Falls, NY 13148  
Phone: (800) 453-6777  
Fax: (888) 322-5877  
[www.gouldswatertechnology.com](http://www.gouldswatertechnology.com)

Goulds is a registered trademark of Goulds Pumps, Inc. and is used under license.  
© 2016 Xylem Inc. B45-70HB R2 June 2016