



7GB WaterGun[®]

HIGH-PRESSURE MULTI-STAGE BOOSTER PUMP

FEATURES

Multi-stage Design: Provides steady, quiet, vibration free, operation.

O-ring Casing Seal: Reliable high pressure sealing with easy disassembly for maintenance or repair.

Impellers and Diffusers: Glass filled engineered composite material with floating impeller design. High resistance to corrosion and abrasion.

Bowls: 300 stainless steel rabbit lock for positive alignment with no gaskets required.

Motors: Close coupled NEMA 56J motors in open drip proof design. Single phase. Ball bearings carry all radial and axial thrust loads. Designed for continuous operation.

$\frac{3}{4}$ " hose adapters and 4-foot suction hose supplied.

AGENCY LISTINGS



Tested to UL 778 and CSA 22.2 108 Standards
By Canadian Standards Association
File #LR38549

APPLICATIONS

The WaterGun® provides fast, efficient cleaning for:

- Homes
- Farms
- Service stations
- Fast food restaurants
- Kennels
- Marinas

Also excellent for booster service.

SPECIFICATIONS

Pump

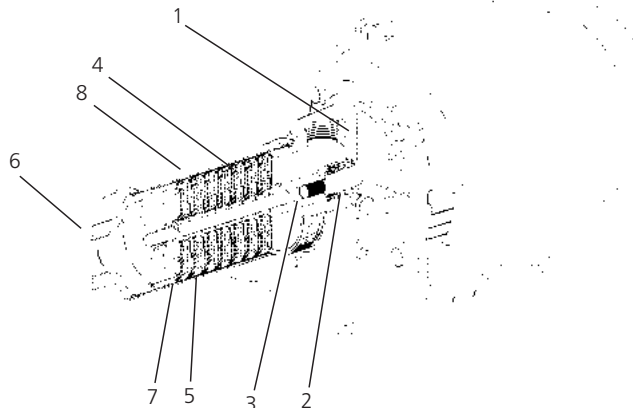
- Capacities: to 10 GPM
- Heads: to 500 ft. (216 PSI)
- Pipe Connections: 1" NPT Suction and Discharge
- Maximum flow: 10 GPM
- Minimum flow: 1 GPM
- Maximum Suction (Inlet) Pressure: 75 PSI
- Maximum Liquid Temperature: 160°F (71°C)
- Rotation: Clockwise when viewed from motor end
- Carry handle: supplied
- Maximum lift with foot valve: 10 ft. (check NPSH curve)

Motor

- NEMA Standard: 56J frame
- Open drip proof
- 60 HZ, 3500 RPM, single phase (115 V)
- Single phase motors have built in capacitor and over-load with automatic resets.
- 10 ft. power cord with G.F.I. molded plug

MATERIALS OF CONSTRUCTION

Item	Description	Material
1	Motor Adapter	Cast Iron
2	Mechanical Seal	Carbon/Ceramic/BUNA
3	Shaft Coupling	Stainless Steel
4	Impeller/Diffuser	Engineered Composite
5	Bowl	304 Stainless Steel
6	Discharge Head	Cast Iron
7	Hex Shaft	Stainless Steel
8	Casing	304 Stainless Steel

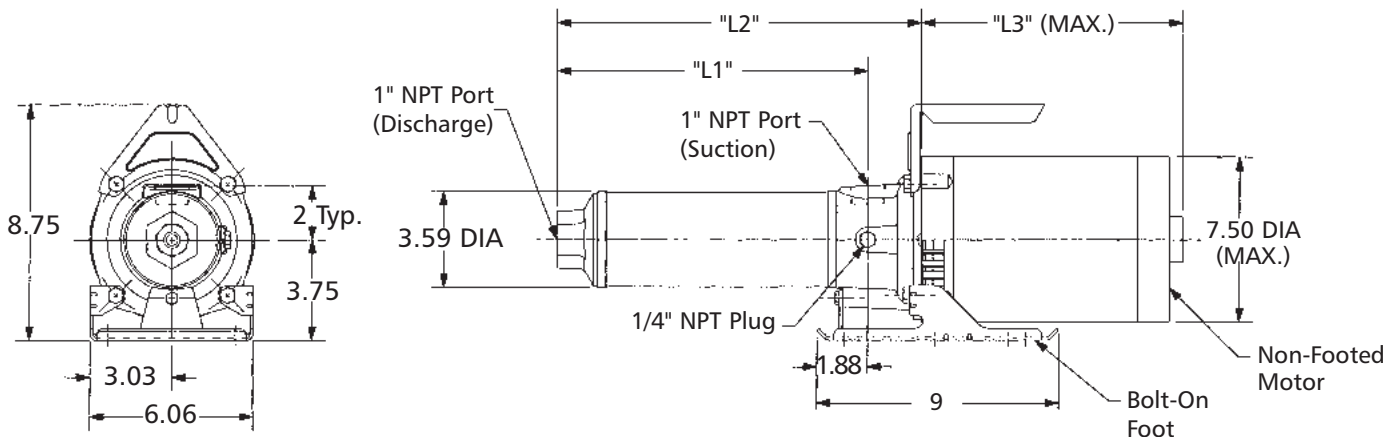
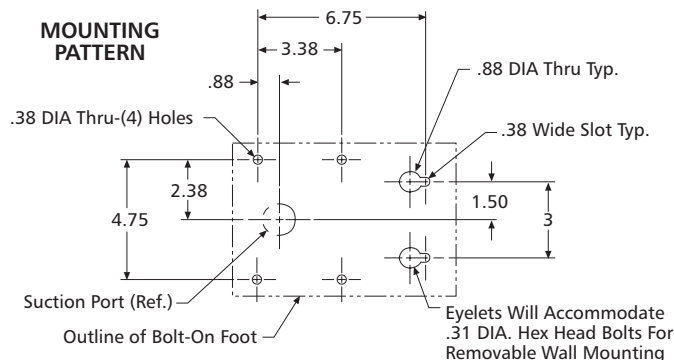


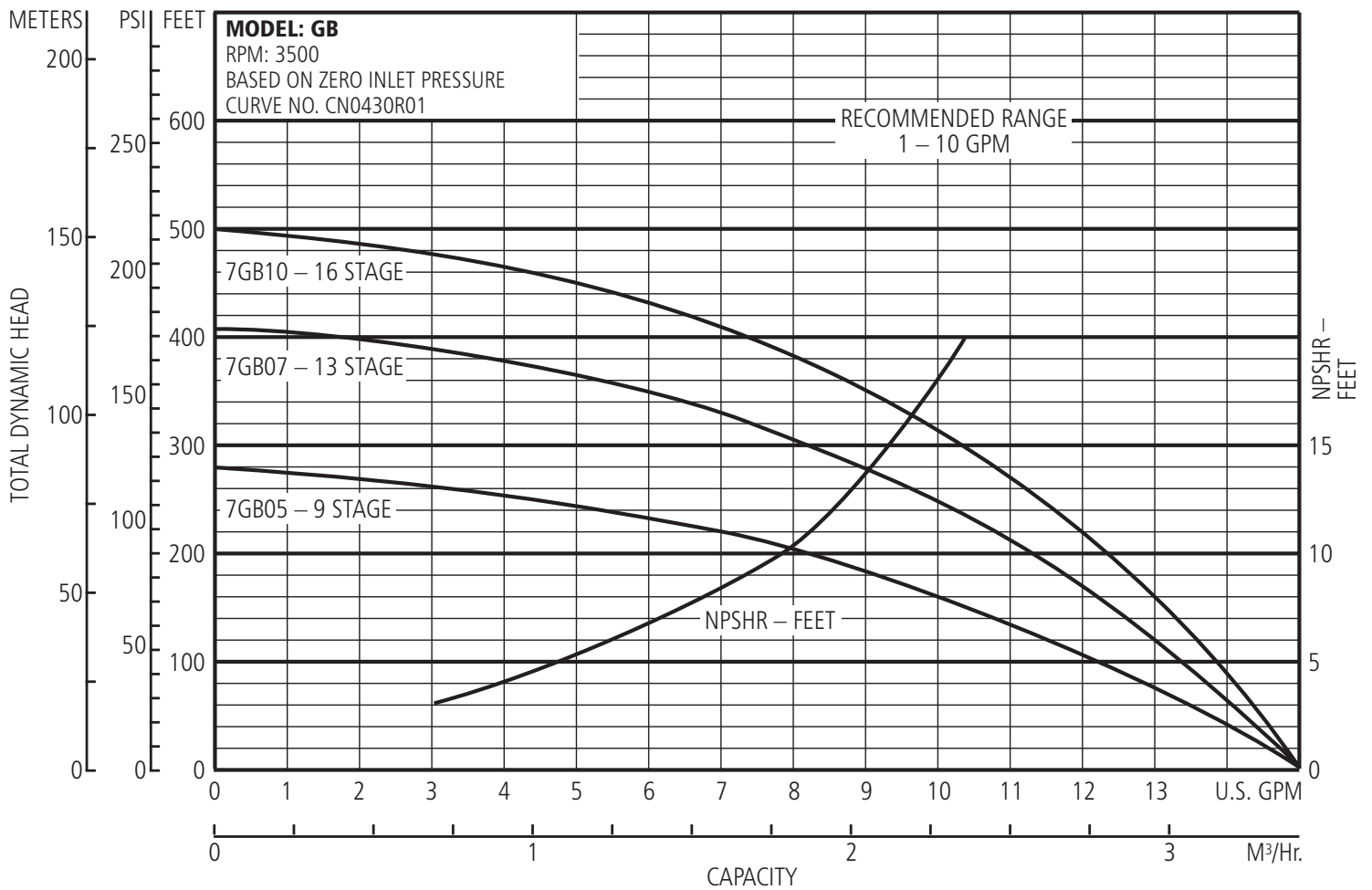
DIMENSIONS AND WEIGHTS

Model	Stages	L1 Approx.	L2 Approx.	HP	L3 Max.	Max. Wt. lbs.
7GBC05WG	9	11.88	13.88	1/2	10.5	41
7GBC07WG	13	14.44	16.44	3/4	10.62	46
7GBC10WG	16	16.88	18.88	1	11.25	50

Warnings:

- Do not run pump dry.
- Do not run pump below minimum flow.
- If positive suction pressure is not available, be sure pump and suction line (with foot valve) are primed before starting pump.





Xylem, Inc.
 2881 East Bayard Street Ext., Suite A
 Seneca Falls, NY 13148
 Phone: (866) 325-4210
 Fax: (888) 322-5877
www.xyleminc.com/brands/gouldswatertechnology

Goulds is a registered trademark of Goulds Pumps, Inc. and is used under license.
 WaterGun is a trademark of Xylem Inc. or one of its subsidiaries.
 © 2012 Xylem Inc. BGB7WG January 2012