

H220 HIGH-PRESSURE METAL PUMP

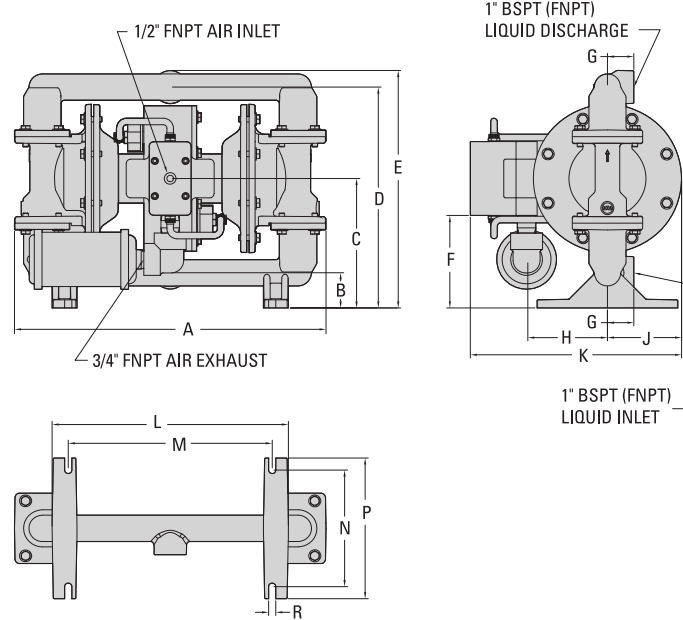
25 mm (1") Pump
Maximum Flow Rate:
94 lpm (25 gpm)



H220 METAL

DIMENSIONAL DRAWING

H220 Metal



DIMENSIONS

ITEM	METRIC (mm)	STANDARD (inch)
A	450	17.7
B	51	2.0
C	188	7.4
D	320	12.6
E	343	13.5
F	135	5.3
G	38	1.5
H	114	4.5
J	107	4.2
K	305	12.0
L	340	13.4
M	295	11.6
N	168	6.6
P	203	8.0
R	10	0.4

LW0440 REV. A

PUMP DATA

Specifications:

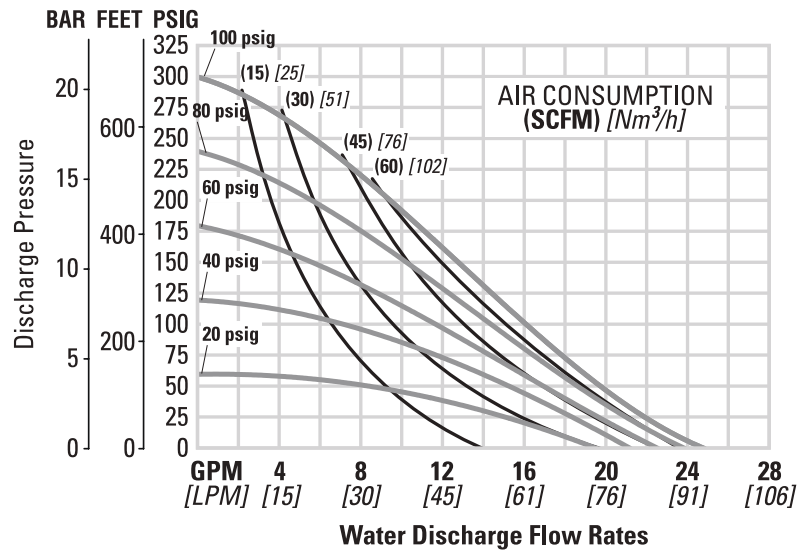
- Ship Weight....Stainless Steel 37 kg (81 lb)
- Ductile Iron 38 kg (84 lb)
- Air Inlet 13 mm (1/2")
- Liquid Inlet..... 25 mm (1")
- Liquid Outlet..... 25 mm (1")

H220 HIGH-PRESSURE METAL PUMP

PERFORMANCE

**H220 METAL
TPE / FULL-STROKE
PTFE-FITTED**

Max. Flow Rate.....94 lpm (25 gpm)
 Max. Inlet Pressure6.9 bar (100 psig)
 Max. Solids Passage.....6.4 mm (1/4")
 Max. Suction Lift.....2.8 m Dry (9.1')
 9.0 m Wet (29.5')

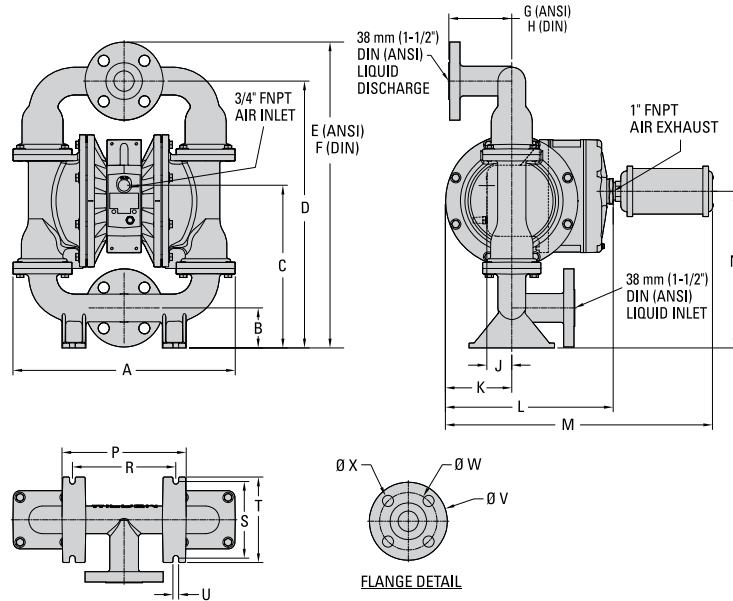


HS430S HIGH-PRESSURE METAL PUMP

38 mm (1-1/2") Pump
Maximum Flow Rate:
280 lpm (74 gpm)

DIMENSIONAL DRAWING

HS430S Aluminum



DIMENSIONS

ITEM	METRIC (mm)	STANDARD (inch)
A	442	17.4
B	80	3.1
C	324	12.7
D	531	20.9
E	609	24.0
F	606	23.9
G	125	4.9
H	122	4.8
J	50	2.0
K	132	5.2
L	334	13.1
M	531	20.9
N	312	12.3
P	247	9.7
R	206	8.1
S	152	6.0
T	170	6.7
U	11	0.4
	DIN (mm)	ANSI (Inch)
V	150 DIA.	6.1 DIA.
W	109 DIA.	4.5 DIA.
X	18 DIA.	0.9 DIA.

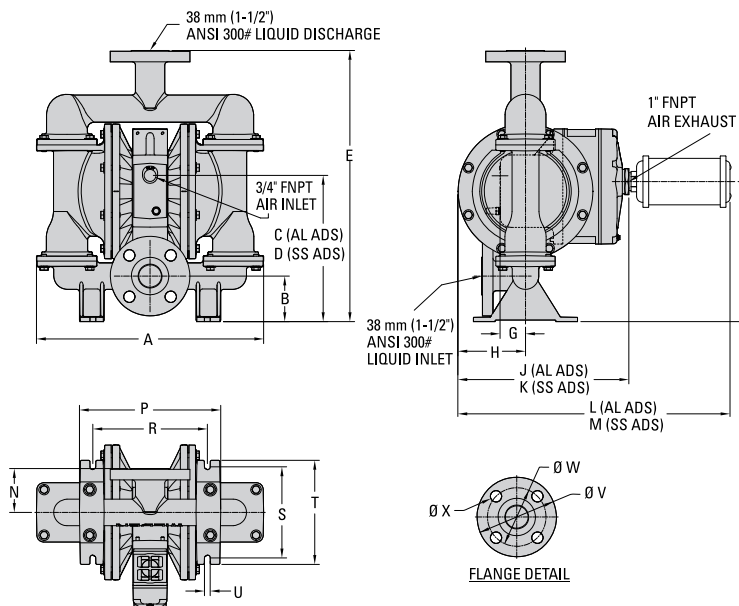
LW0317 REV. A

PUMP DATA

Specifications:

Ship Weight.....Aluminum 29 kg (64 lbs)
 Stainless Steel 55 kg (121 lbs)
 Air Inlet.....19 mm (3/4")
 Liquid Inlet.....38 mm (1-1/2")
 Liquid Outlet.....38 mm (1-1/2")

HS430S Stainless Steel



DIMENSIONS

ITEM	METRIC (mm)	STANDARD (inch)
A	443	17.5
B	89	3.5
C	285	11.2
D	292	11.5
E	529	20.8
F	273	10.8
G	50	2.0
H	132	5.2
J	334	13.1
K	321	12.7
L	531	20.9
M	519	20.4
N	86	3.4
P	276	10.9
R	224	8.8
S	178	7.0
T	203	8.0
U	11	0.4
	DIN DN 40	ANSI 300#
V	150 DIA.	6.1 DIA.
W	109 DIA.	4.5 DIA.
X	18 DIA.	0.9 DIA.

LW0293 REV. A

WILDEN®

22069 Van Buren Street
 Grand Terrace, CA 92313-5607 USA

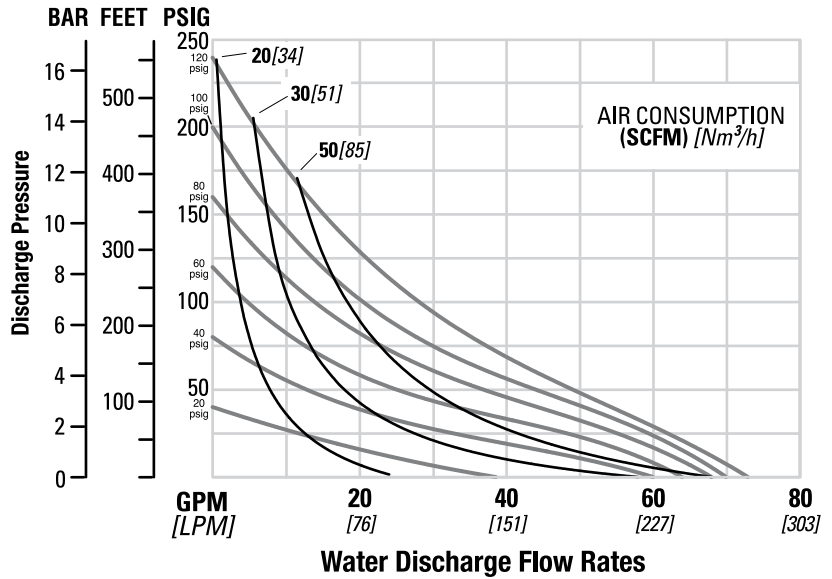
O: +1 (909) 422-1730 F: +1 (909) 783-3440
 www.psgdover.com

HS430S HIGH-PRESSURE METAL PUMP

PERFORMANCE

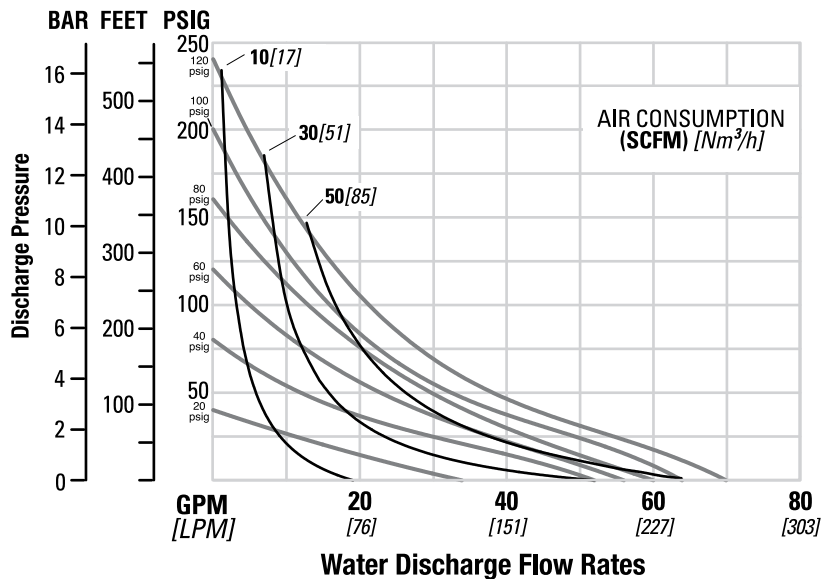
**HS430S ALUMINUM
TPE-FITTED**

Max. Flow Rate.....280 lpm (74 gpm)
 Max. Inlet Pressure8.6 bar (125 psig)
 Max. Solids Passage..... 6.4 mm (1/4")
 Max. Suction Lift.....2.0 m Dry (6.8')
 9.0 m Wet (29.5')



**HS430S STAINLESS STEEL
TPE-FITTED**

Max. Flow Rate.....264 lpm (70 gpm)
 Max. Inlet Pressure8.6 bar (125 psig)
 Max. Solids Passage..... 6.4 mm (1/4")
 Max. Suction Lift.....2.0 m Dry (6.8')
 9.0 m Wet (29.5')



H800 HIGH-PRESSURE METAL PUMP

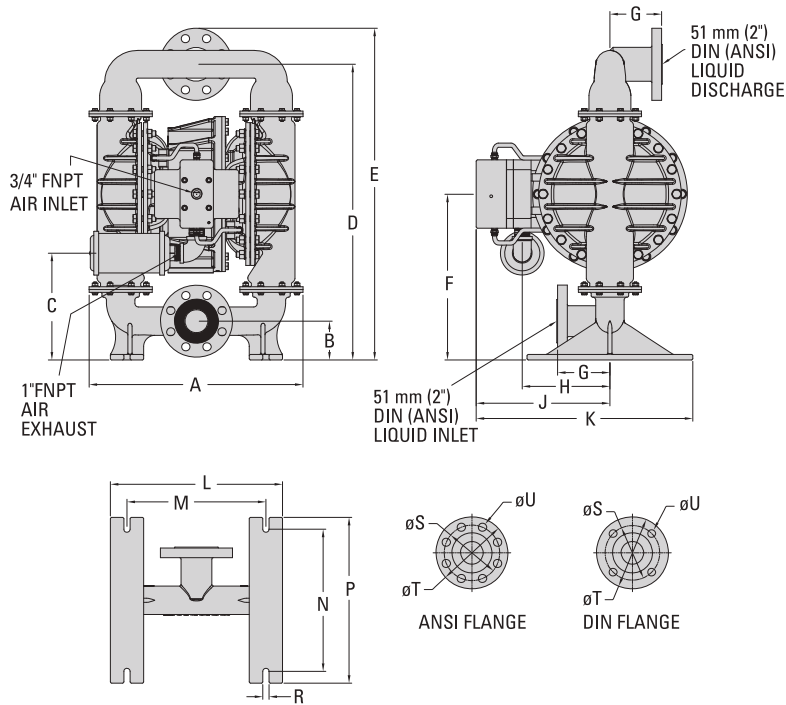
**51 mm (2") Pump
Maximum Flow Rate:
360 lpm (95 gpm)**



H800 METAL

DIMENSIONAL DRAWINGS

H800 Metal



DIMENSIONS

ITEM	METRIC (mm)	STANDARD (inch)
A	490	19.3
B	89	3.5
C	245	9.6
D	677	26.7
E	760	29.9
F	378	14.9
G	120	4.7
H	201	7.9
J	307	12.1
K	498	19.6
L	394	15.5
M	318	12.5
N	325	12.8
P	379	14.9
R	14	0.6
ANSI FLANGE 300 lb		
S	127 DIA.	5.0 DIA.
T	165 DIA.	6.5 DIA.
U	19 DIA.	0.8 DIA.
DIN FLANGE PN40		
S	125 DIA.	4.9 DIA.
T	165 DIA.	6.5 DIA.
U	18 DIA.	0.7 DIA.

LW0192 REV. B

PUMP DATA

Specifications:

Ship Weight....Stainless Steel 128 kg (283 lb)
 Ductile Iron 128 kg (283 lb)
 Alloy C 134 kg (295 lb)
 Air Inlet 19 mm (3/4")
 Inlet.....51 mm (2")
 Outlet.....51 mm (2")

Temperature Limits:

Wil-Flex™ ... -40°C to 107°C (-40°F to 225°F)
 PTFE.....4°C to 104°C (40°F to 220°F)

H800 HIGH-PRESSURE METAL PUMP

PERFORMANCE

**H800 METAL
TPE/FULL-STROKE
PTFE-FITTED**

Max. Flow Rate.....360 lpm (95 gpm)
 Max. Inlet Pressure5.7 bar (85 psig)
 Max. Discharge Pressure.....17.5 bar (250 psig)
 Max. Solids Passage..... 12.7 mm (1/2")
 Max. Suction Lift.....3.7 m Dry (12.0')
 9.0 m Wet (29.5')

