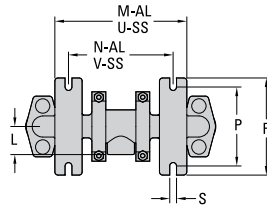
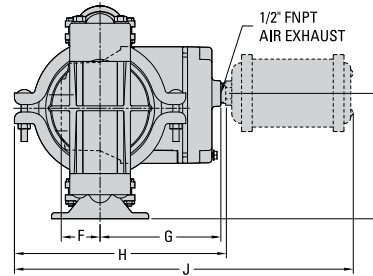
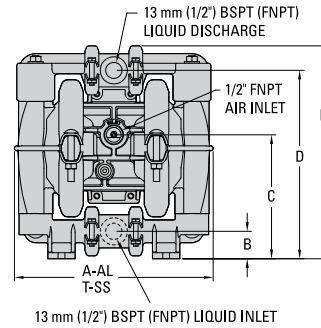


PS1 METAL PUMP

13 mm (1/2") Pump
Maximum Flow Rate:
60.2 lpm (15.9 gpm)

DIMENSIONAL DRAWINGS

PS1 Metal



DIMENSIONS

ITEM	METRIC (mm)	STANDARD (inch)
A	208	8.2
B	28	1.1
C	130	5.1
D	198	7.8
E	224	8.8
F	41	1.6
G	126	5.0
H	216	8.5
J	354	14.0
K	131	5.2
L	30	1.2
M	137	5.4
N	109	4.3
P	84	3.3
R	102	4.0
S	8	0.3
T	203	8.0
U	142	5.6
V	112	4.4

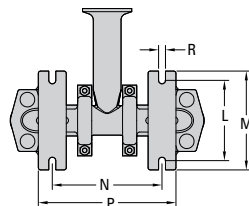
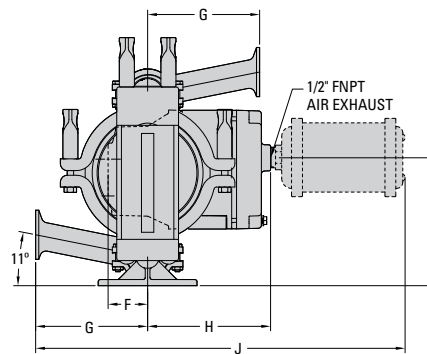
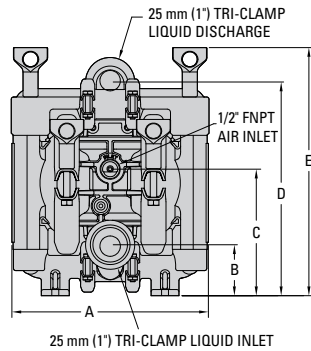
LW0361 REV. A

PUMP DATA

Specifications:

- Ship Weight..... Aluminum 6 kg (13 lb)
 Stainless Steel 9 kg (20 lb)
- Air Inlet6 mm (1/4")
- Liquid Inlet..... 13 mm (1/2")
- Liquid Outlet..... 13 mm (1/2")

PS1 Metal Saniflo™



DIMENSIONS

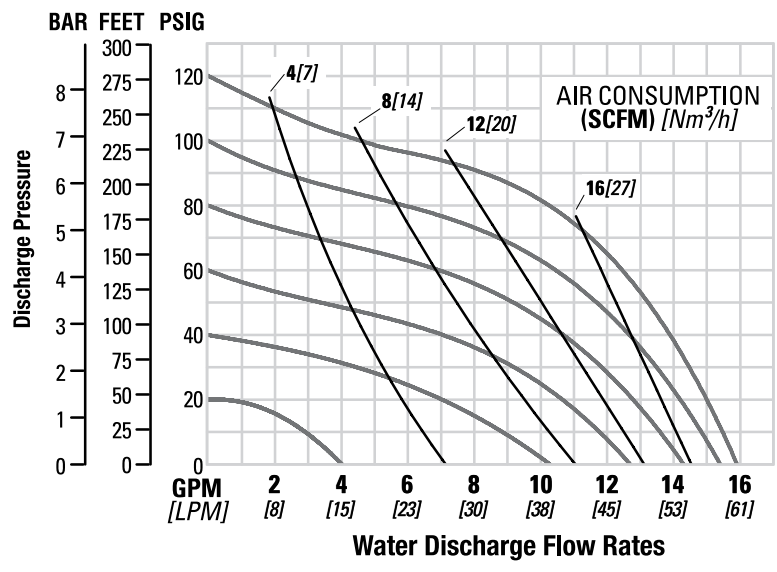
ITEM	METRIC (mm)	STANDARD (inch)
A	203	8.0
B	53	2.1
C	130	5.1
D	218	8.6
E	257	10.1
F	41	1.6
G	114	4.5
H	126	5.0
J	380	15.0
K	131	5.2
L	84	3.3
M	102	4.0
N	112	4.4
P	142	5.6
R	8	0.3

LW0362 REV. A

PERFORMANCE

**PS1 METAL
 PTFE-FITTED**

Max. Flow Rate.....59.8 lpm (15.8 gpm)
 Max. Inlet Pressure8.6 bar (125 psig)
 Max. Solids Passage..... 1.59 mm (1/16")
 Max. Suction Lift.....4.3 m Dry (14.2')
 9.7 m Wet (31.7')



PS220/PS230 FIT METAL PUMP

25 mm (1") Pump
Maximum Flow Rate:
212 lpm (56 gpm)

DIMENSIONAL DRAWINGS

PUMP DATA

Specifications:

Ship Weight..... Aluminum 19 kg (41 lb)
 Ductile Iron 29 kg (64 lb)
 316 Stainless Steel 31 kg (68 lb)
 Air Inlet13 mm (1/2")
 Liquid Inlet.....25 mm (1")
 Liquid Outlet.....25 mm (1")

PS230 Stainless Steel

DIMENSIONS

ITEM	METRIC (mm)	STANDARD (inch)
A	373	14.7
B	69	2.7
C	195	7.6
D	287	11.3
E	340	13.4
F	343	13.5
G	71	2.8
H	417	16.4
J	71	2.8
K	140	5.5
L	188	7.4
M	206	8.1
N	173	6.8
P	104	4.1
R	127	5.0
S	10	0.4
T	203	8.0
DIN FLANGE		
U	85 DIA.	3.1 DIA.
V	115 DIA.	4.3 DIA.
W	14 DIA.	0.6 DIA.

LW0366 REV. A

PS220/PS230 FIT METAL PUMP

PERFORMANCE
