

## Leak Detection System Options

The mROY metering pump optional leak detection system monitors the condition of the pump's diaphragm to prevent cross-contamination of the process fluid and the pump's hydraulic system. This optional feature comes with either a pressure gauge or switch that is connected to the pump head between redundant diaphragms. During normal operation, the pressure between the two diaphragms is much lower than the process pressure. If either diaphragm fails, the system senses the process pressure from either fluid while the redundant diaphragm continues to create a seal between the two fluids. When pressure is encountered, the leak detection system indicates the pressure change on a gauge or can activate the pressure switch to stop the pump or sound an alarm. Additional options for connecting a pressure transmitter are available.

## Applications

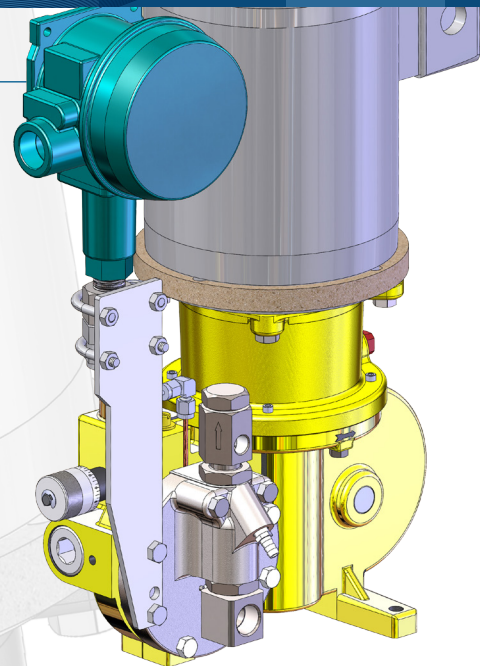
The mROY series diaphragms are extremely durable and feature a design life of 96,000 hours. The leak detection option adds additional security and is ideal for critical dosing applications where toxic, aggressive or environmentally hazardous chemicals are used, or where pumps are remotely mounted and not routinely observed in operation.

## Features and Benefits

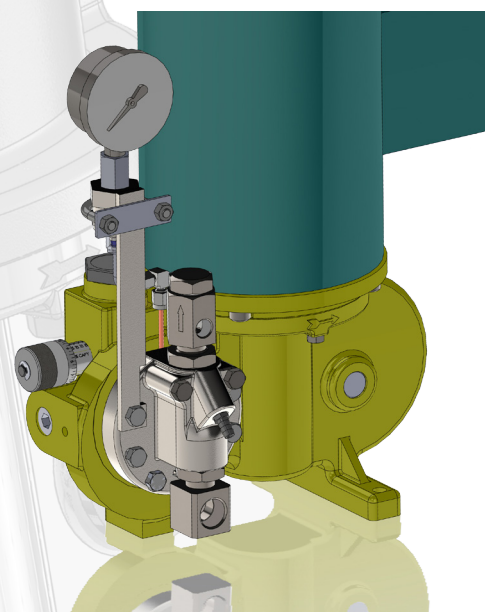
- The system detects pressure variations and shuts the pump down, safeguarding equipment and protecting process fluids.
- The rupture detection system is available with a gauge or switch design to provide an ideal process configuration.
- The gauge and switch options reduce downtime and costs by protecting against equipment loss.
- The designs reduce the overall pump footprint, providing ultimate protection in tight or confined spaces.

## Specifications

- Pressure switches available in NEMA 4 or Explosion Proof enclosures
- Leak detection system capable of operating over the pump's full pressure range
- Industrial process grade pressure gauges

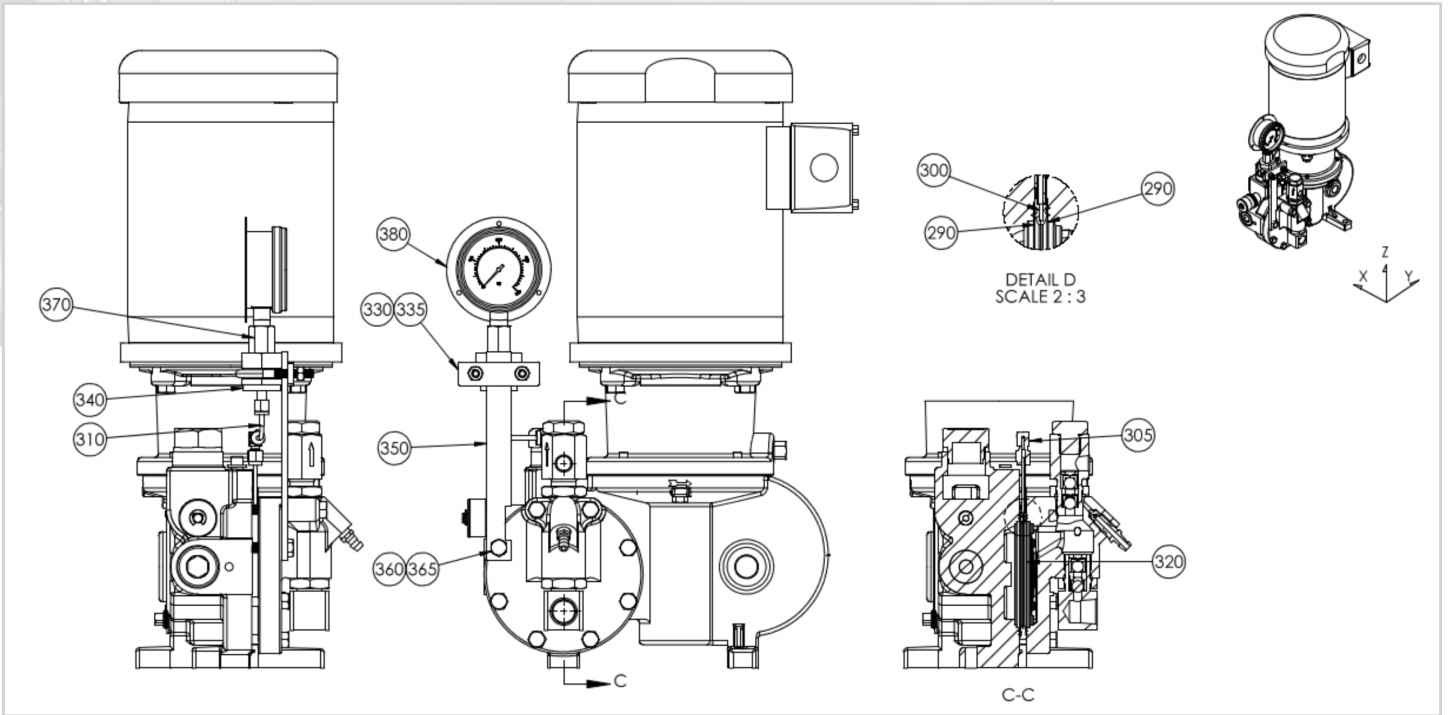


Switch Option



Pressure Gauge Option

**Global mRoy – CS Drawing E & F  
Plunger Gauge Only**



**Global mRoy – CS Drawing E & F  
Plunger Switch Only**

