

**PS2 HYGIENIC SERIES METAL PUMP**

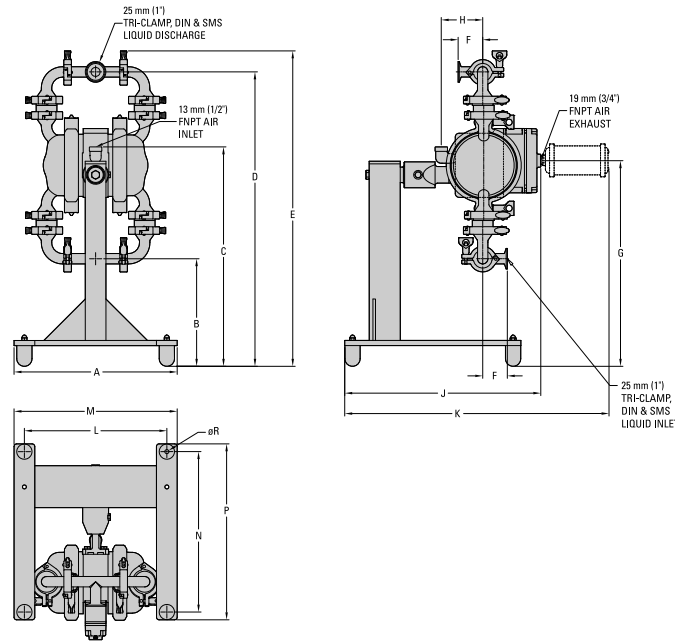
**25 mm (1") Pump**  
**Maximum Flow Rate:**  
**121 lpm (32 gpm)**



**PS2 HS METAL**

**DIMENSIONAL DRAWING**

**PS2 Saniflo™ HS, Swivel**



**DIMENSIONS**

ITEM	METRIC (mm)	STANDARD (inch)
A	401	15.8
B	264	10.4
C	538	21.2
D	721	28.4
E	775	30.5
F	61	2.4
G	505	19.9
H	104	4.1
J	480	18.9
K	648	25.5
L	351	13.8
M	401	15.8
N	394	15.5
P	432	17.0
R	ø10	ø.4

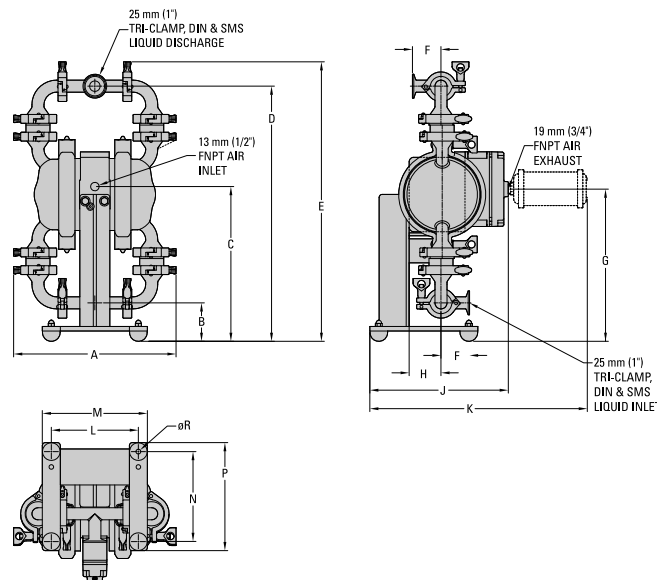
LW0436 REV. A

**PUMP DATA**

**Specifications:**

Ship Weight..... 40 kg (80 lb)  
Air Inlet ..... 1/2"  
Inlet..... 25 mm (1")  
Outlet..... 25 mm (1")

**PS2 Saniflo™ HS, Vertically-Mounted, Fixed**



**DIMENSIONS**

ITEM	METRIC (mm)	STANDARD (inch)
A	343	13.5
B	81	3.2
C	327	12.9
D	540	21.3
E	591	23.3
F	61	2.4
G	322	12.7
H	69	2.7
J	292	11.5
K	460	18.1
L	185	7.3
M	224	8.8
N	191	7.5
P	229	9.0
R	ø10	ø0.4

LW0435 REV. A

**PS2 HYGIENIC SERIES METAL PUMP**

**PERFORMANCE**

---

**PS4 HYGIENIC SERIES METAL PUMP**

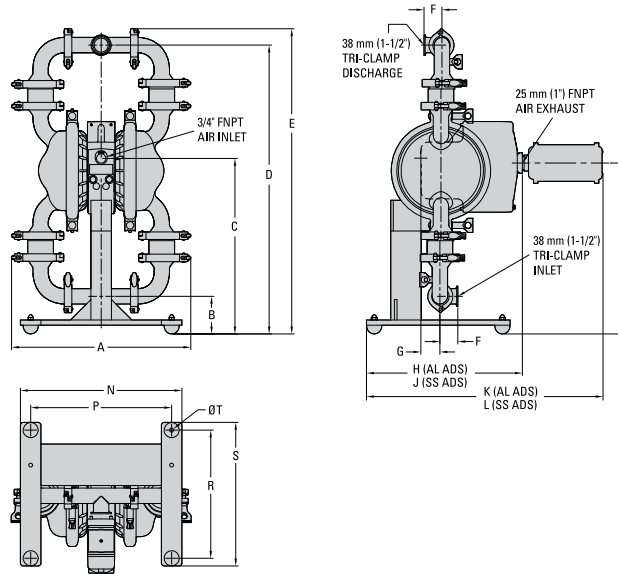
**38 mm (1-1/2") Pump  
Maximum Flow Rate:  
357 lpm (94.4 gpm)**



**PS4 HS METAL**

**DIMENSIONAL DRAWING**

**PS4 Saniflo™ HS Vertically-Mounted, Center-Ported with Ball/Mushroom Valve, Fixed Stand**



**DIMENSIONS**

ITEM	METRIC (mm)	STANDARD (inch)
A	440	17.5
B	93	3.7
C	435	17.1
D	716	28.2
E	757	29.8
F	45	1.8
G	47	1.9
H	386	15.2
J	380	15.0
K	586	23.1
L	580	22.9
M	423	16.7
N	400	15.8
P	349	13.8
R	318	12.5
S	356	14.0
T	Ø10	Ø0.4

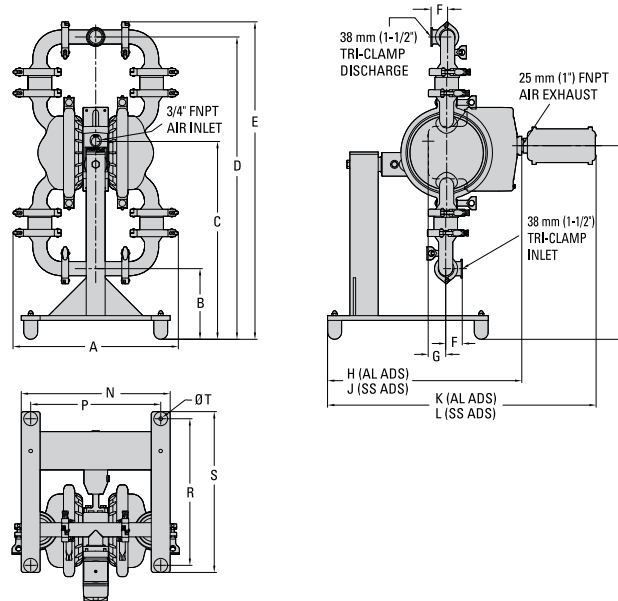
LW0242 REV. C

**PUMP DATA**

**Specifications:**

- Ship Weight..... 51 kg (112 lb)
- Air Inlet ..... 19 mm (3/4")
- Inlet..... 38 mm (1-1/2")
- Outlet..... 38 mm (1-1/2")

**PS4 Saniflo™ HS Vertically-Mounted, Center-Ported with Ball/Mushroom Valve, Swivel Stand**



**DIMENSIONS**

ITEM	METRIC (mm)	STANDARD (inch)
A	440	17.5
B	190	7.5
C	531	20.9
D	812	32.0
E	853	33.6
F	45	1.8
G	47	1.9
H	522	20.5
J	514	20.3
K	721	28.4
L	715	28.2
M	520	20.5
N	400	15.8
P	349	13.8
R	394	15.5
S	432	17.0
T	Ø10	Ø0.4

LW0243 REV. C



22069 Van Buren Street  
Grand Terrace, CA 92313-5607 USA

O: +1 (909) 422-1730 F: +1 (909) 783-3440  
www.psgdover.com



**PS4 HYGIENIC SERIES METAL PUMP**

**PERFORMANCE**

**WILDEN**<sup>®</sup>

22069 Van Buren Street  
Grand Terrace, CA 92313-5607 USA  
O: +1 (909) 422-1730 F: +1 (909) 783-3440  
[www.psgdover.com](http://www.psgdover.com)

**PSG**<sup>®</sup>  
a **DOVER** company  
[psgdover.com](http://psgdover.com)

**PS8 HYGIENIC SERIES METAL PUMP**

**51 mm (2") Pump  
Maximum Flow Rate:  
575 lpm (152 gpm)**



**PS8 HS METAL**

**DIMENSIONAL DRAWING**

**PUMP DATA**

**Specifications:**

Ship Weight..... 49 kg (109 lb)  
Air Inlet ..... 19 mm (3/4")  
Inlet..... 51 mm (2")  
Outlet..... 51 mm (2")

**PS8 HYGIENIC SERIES METAL PUMP**

**PERFORMANCE**

---

## PS15 HYGIENIC SERIES METAL PUMP

**76 mm (3") Pump**  
**Maximum Flow Rate:**  
**849 lpm (224 gpm)**



**PS15 HS METAL**

### DIMENSIONAL DRAWING

### PUMP DATA

**Specifications:**

Ship Weight..... 98 kg (216 lb)  
Air Inlet ..... 19 mm (3/4")  
Inlet..... 76 mm (3")  
Outlet..... 76 mm (3")

**PS15 HYGIENIC SERIES METAL PUMP**

**PERFORMANCE**