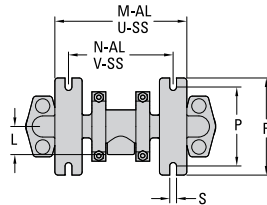
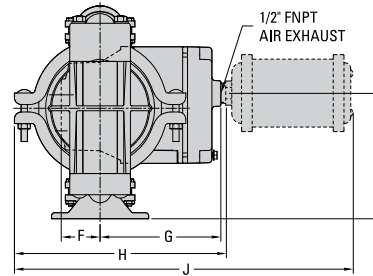
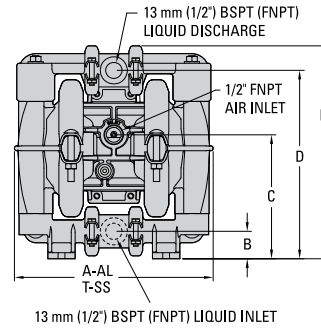


PS1 METAL PUMP

13 mm (1/2") Pump
Maximum Flow Rate:
60.2 lpm (15.9 gpm)

DIMENSIONAL DRAWINGS

PS1 Metal



DIMENSIONS

ITEM	METRIC (mm)	STANDARD (inch)
A	208	8.2
B	28	1.1
C	130	5.1
D	198	7.8
E	224	8.8
F	41	1.6
G	126	5.0
H	216	8.5
J	354	14.0
K	131	5.2
L	30	1.2
M	137	5.4
N	109	4.3
P	84	3.3
R	102	4.0
S	8	0.3
T	203	8.0
U	142	5.6
V	112	4.4

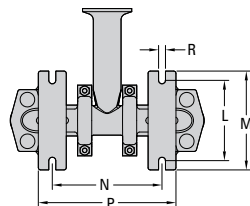
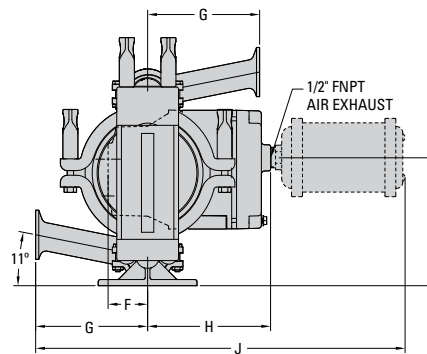
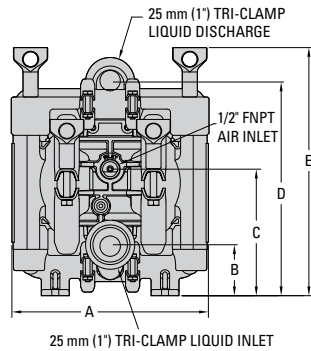
LW0361 REV. A

PUMP DATA

Specifications:

- Ship Weight..... Aluminum 6 kg (13 lb)
 Stainless Steel 9 kg (20 lb)
- Air Inlet6 mm (1/4")
- Liquid Inlet..... 13 mm (1/2")
- Liquid Outlet..... 13 mm (1/2")

PS1 Metal Saniflo™



DIMENSIONS

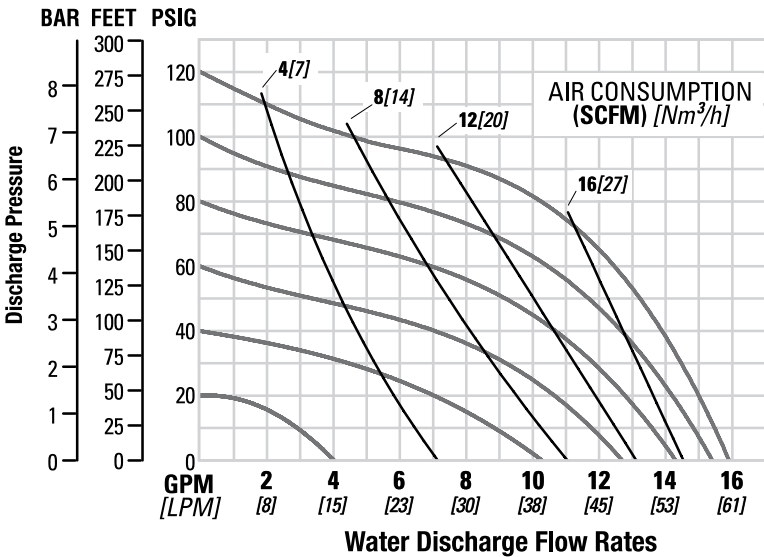
ITEM	METRIC (mm)	STANDARD (inch)
A	203	8.0
B	53	2.1
C	130	5.1
D	218	8.6
E	257	10.1
F	41	1.6
G	114	4.5
H	126	5.0
J	380	15.0
K	131	5.2
L	84	3.3
M	102	4.0
N	112	4.4
P	142	5.6
R	8	0.3

LW0362 REV. A

PERFORMANCE

**PS1 METAL
PTFE-FITTED**

Max. Flow Rate.....59.8 lpm (15.8 gpm)
 Max. Inlet Pressure8.6 bar (125 psig)
 Max. Solids Passage..... 1.59 mm (1/16")
 Max. Suction Lift.....4.3 m Dry (14.2')
 9.7 m Wet (31.7')

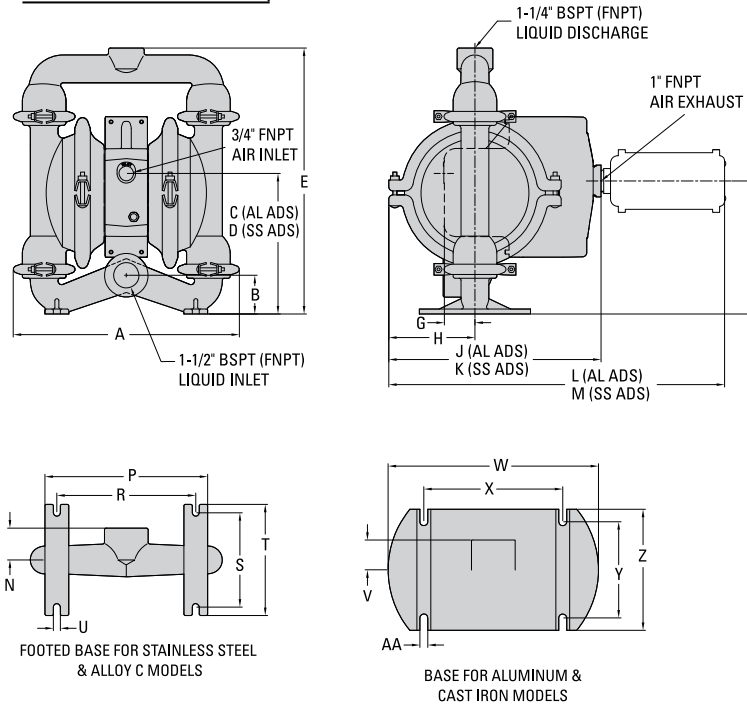


PS4 ORIGINAL METAL PUMP

38 mm (1-1/2") Pump
Maximum Flow Rate:
375 lpm (99 gpm)

DIMENSIONAL DRAWING

PS4 Metal



DIMENSIONS

ITEM	METRIC (mm)	STANDARD (inch)
A	368	14.5
B	64	2.5
C	225	8.9
D	231	9.1
E	429	16.9
F	213	8.4
G	48	1.9
H	138	5.4
J	340	13.4
K	327	12.9
L	537	21.1
M	525	20.7
N	51	2.0
P	262	10.3
R	224	8.8
S	150	5.9
T	178	7.0
U	10	0.4
V	48	1.9
W	338	13.3
X	224	8.8
Y	155	6.1
Z	193	7.6
AA	13	0.5

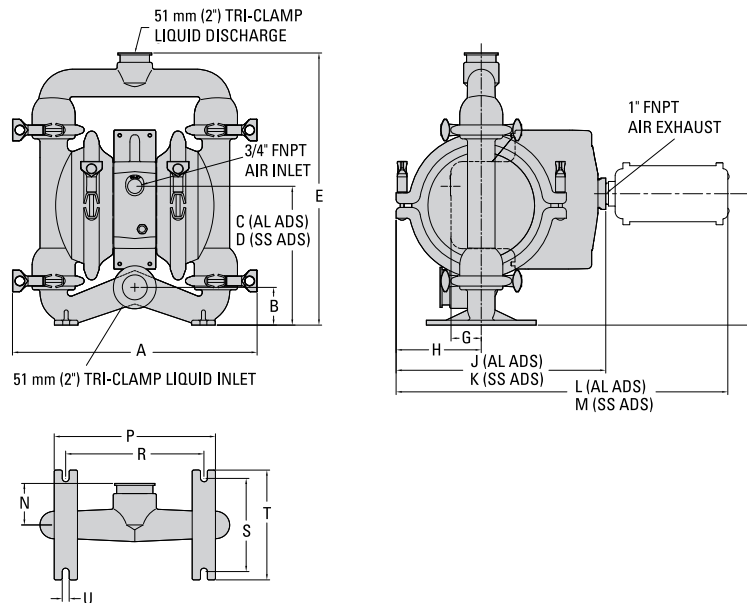
LW0227 REV. C

PUMP DATA

Specifications:

Height..... 429 mm (16.9")
 Width..... 368 mm (14.5")
 Depth..... Aluminum ADS 327 mm (12.9")
 Stainless Steel ADS 315 mm (12.4")
 Est. Ship Weight... Aluminum 21 kg (46 lbs)
 316 Stainless Steel 28 kg (62 lbs)
 Cast Iron 30 kg (66 lbs)
 Air Inlet 3/4"
 Liquid Inlet..... 1-1/2"
 Liquid Outlet..... 1-1/4"

PS4 Metal Saniflo™



DIMENSIONS

ITEM	METRIC (mm)	STANDARD (inch)
A	396	15.6
B	64	2.5
C	225	8.9
D	231	9.1
E	442	17.4
F	213	8.4
G	48	1.9
H	138	5.4
J	340	13.4
K	327	12.9
L	527	21.1
M	525	20.7
N	67	2.7
P	261	10.3
R	224	8.8
S	151	5.9
T	178	7.0
U	10	0.4

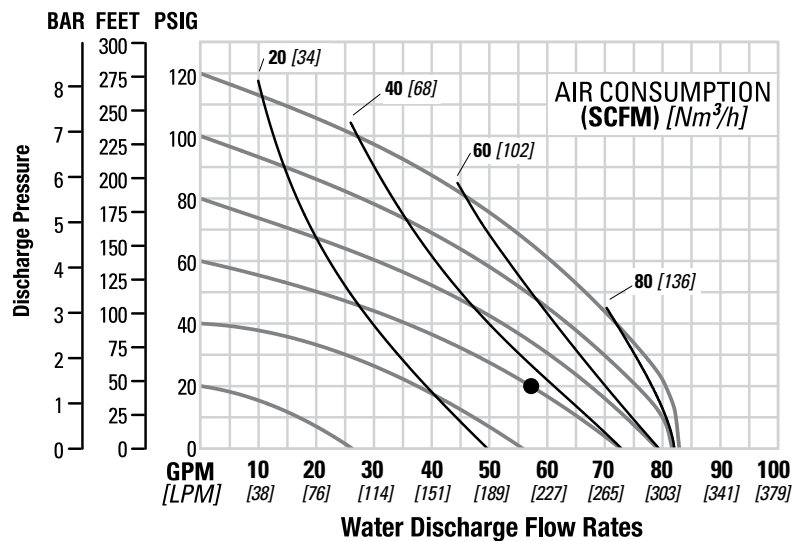
LW0228 REV. B

PS4 ORIGINAL METAL PUMP

PERFORMANCE

PS4 METAL EZ INSTALL TPE-FITTED

Max. Flow Rate.....314 lpm (83 gpm)
 Max. Inlet Pressure8.6 bar (125 psig)
 Max. Solids Passage..... 4.8 mm (3/16")
 Max. Suction Lift.....7.1 m Dry (23.3')
 8.6 m Wet (28.4')

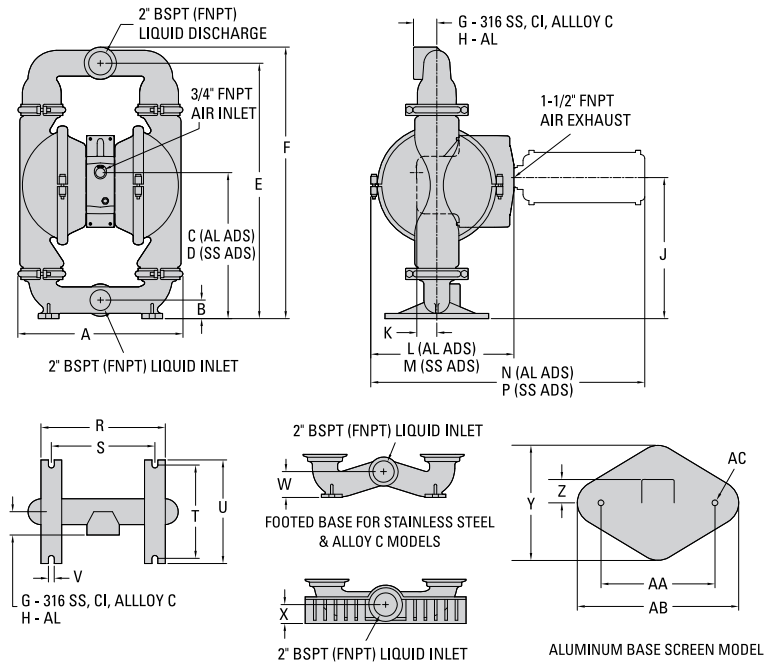


PS8 ORIGINAL METAL PUMP

51 mm (2") Pump
Maximum Flow Rate:
723 lpm (191 gpm)

DIMENSIONAL DRAWING

PS8 Metal



DIMENSIONS

ITEM	METRIC (mm)	STANDARD (inch)
A	404	15.9
B	45	1.8
C	358	14.1
D	363	14.3
E	630	24.8
F	668	26.3
G	58	2.3
H	64	2.5
J	346	13.6
K	48	1.9
L	351	13.8
M	339	13.3
N	672	26.4
P	659	26
R	315	12.4
S	257	10.1
T	231	9.1
U	257	10.1
V	15	0.6
W	64	2.5
X	51	2
Y	284	11.2
Z	58	2.3
AA	279	11
AB	396	15.6
AC	15 DIA.	0.6 DIA.

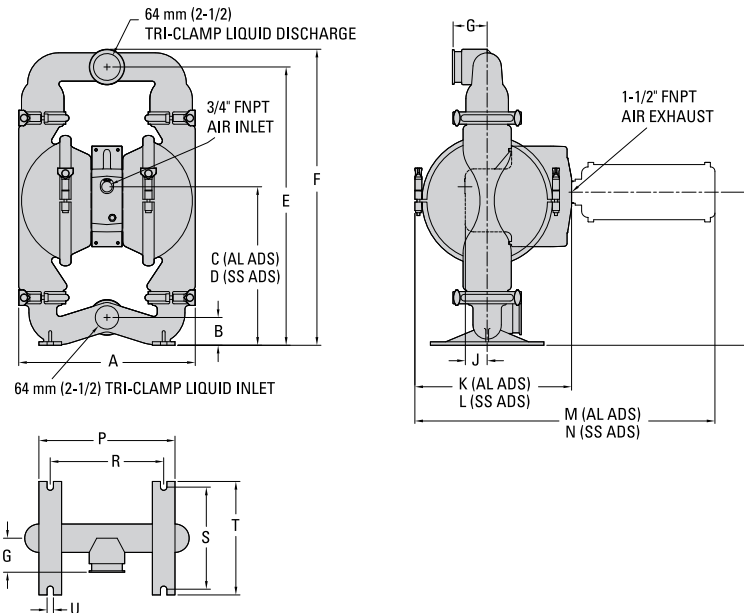
LW0234 REV. A

PUMP DATA

Specifications:

Height 668 mm (26.3")
 Width 404 mm (15.9")
 Depth
 Aluminum ADS 351 mm (13.8")
 Stainless Steel ADS 339 mm (13.3")
 Est. Ship Weight.....
 Aluminum 35 kg (78 lbs)
 316 Stainless Steel 53 kg (117 lbs)
 Cast Iron 49 kg (109 lbs)
 Alloy C 54 kg (119 lbs)
 Air Inlet3/4"
 Liquid Inlet.....2"
 Liquid Outlet.....2"

PS8 Metal Saniflo™



DIMENSIONS

ITEM	METRIC (mm)	STANDARD (inch)
A	408	16.1
B	64	2.5
C	355	14
D	361	14.2
E	625	24.6
F	665	26.2
G	76	3
H	343	13.5
J	48	1.9
K	351	13.8
L	339	13.3
M	672	26.4
N	659	26
P	305	12
R	254	10
S	229	9
T	254	10
U	15 DIA.	0.6 DIA.

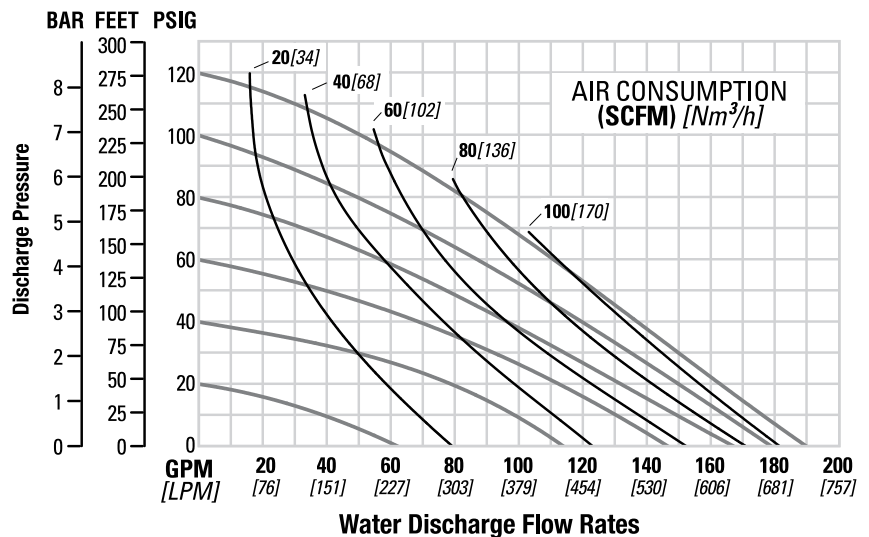
LW0235 REV. A

PS8 ORIGINAL METAL PUMP

PERFORMANCE

PS8 METAL EZ-INSTALL TPE-FITTED

Max. Flow Rate719 lpm (190 gpm)
 Max. Inlet Pressure 8.6 bar (125 psi)
 Max. Solids Passage..... 6.4 mm (1/4")
 Max. Suction Lift..... 6.9 m Dry (22.7')
 9.0 m Wet (29.5')

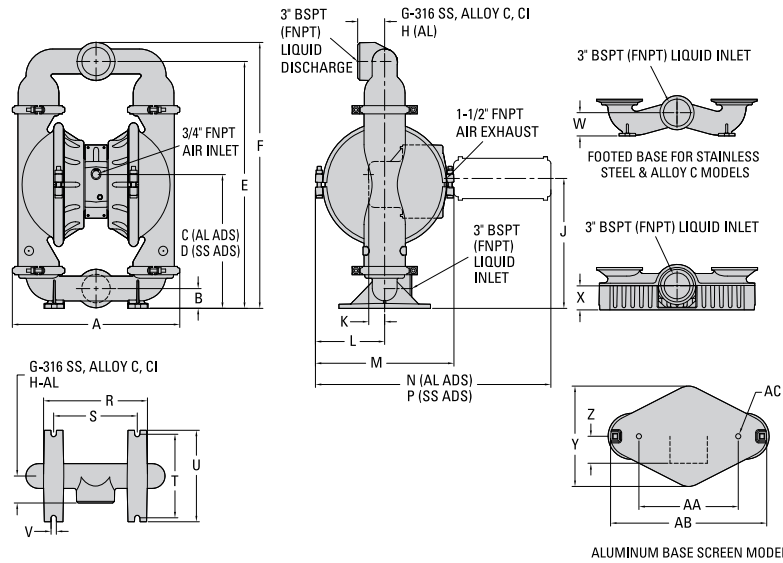


PS15 ORIGINAL METAL PUMP

76 mm (3") Pump
Maximum Flow Rate:
927 lpm (245 gpm)

DIMENSIONAL DRAWING

PS15 Metal



DIMENSIONS

ITEM	METRIC (mm)	STANDARD (inch)
A	514	20.2
B	61	2.4
C	411	16.2
D	416	16.4
E	758	29.8
F	816	32.1
G	70	2.8
H	83	3.3
J	399	15.7
K	49	1.9
L	213	8.4
M	425	16.7
N	722	28.4
P	710	28.0
R	319	12.5
S	307	12.1
T	257	10.1
U	281	11.1
V	16	0.6
W	71	2.8
X	74	2.9
Y	308	12.1
Z	83	3.3
AA	305	12.0
AB	480	18.9
AC	16 DIA.	0.6 DIA

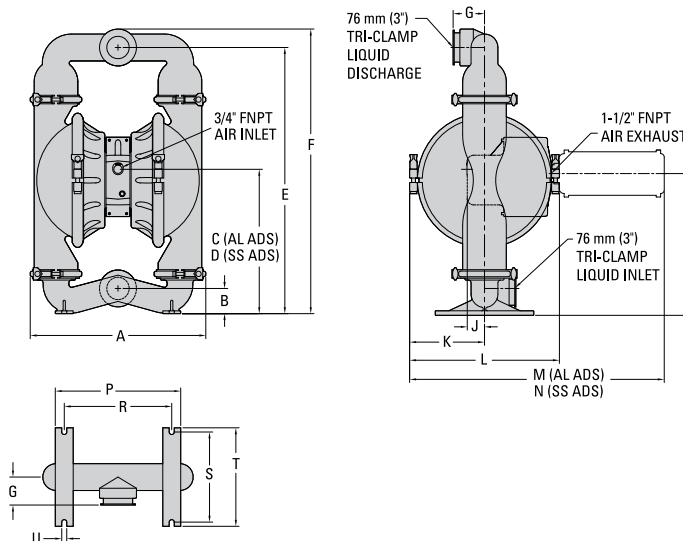
LW0254 REV. B

PUMP DATA

Specifications:

Height815 mm (32.1")
 Width513 mm (20.2")
 Depth424 mm (16.7")
 Est. Ship Weight.....
 Aluminum 55 kg (121 lbs)
 316 Stainless Steel 105 kg (230 lbs)
 Cast Iron 93 kg (205 lbs)
 Air Inlet3/4"
 Liquid Inlet.....3"
 Liquid Outlet.....3"

PS15 Metal Saniflo™



DIMENSIONS

ITEM	METRIC (mm)	STANDARD (inch)
A	521	20.5
B	71	2.8
C	409	16.1
D	414	16.3
E	767	30.2
F	810	31.9
G	89	3.5
H	401	15.8
J	48	1.9
K	216	8.5
L	424	16.7
M	722	28.4
N	709	27.9
P	356	14.0
R	305	12.0
S	257	10.1
T	279	11.0
U	15 DIA.	0.6 DIA.

LW0255 REV. A

WILDEN®

22069 Van Buren Street
 Grand Terrace, CA 92313-5607 USA

O: +1 (909) 422-1730 F: +1 (909) 783-3440
 www.psgdover.com

a DOVER company
 psgdover.com

