

PS4 PLASTIC PUMP

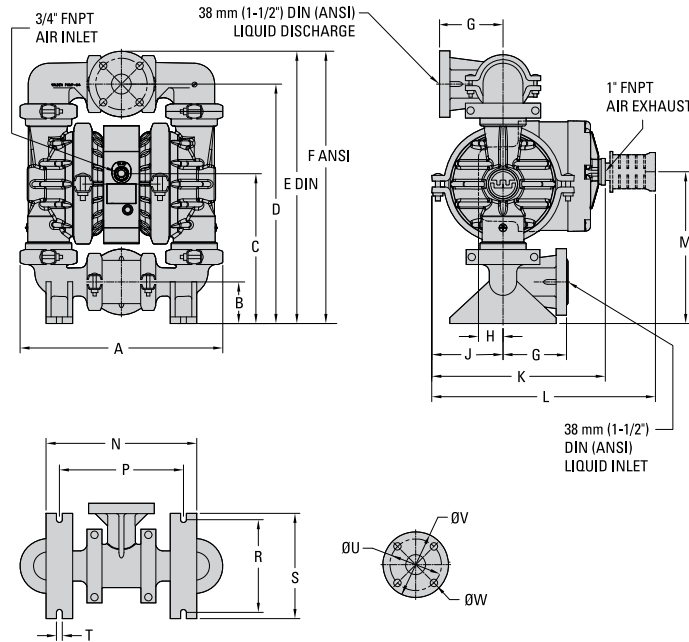
38 mm (1-1/2") Pump
Maximum Flow Rate:
379 lpm (100 gpm)



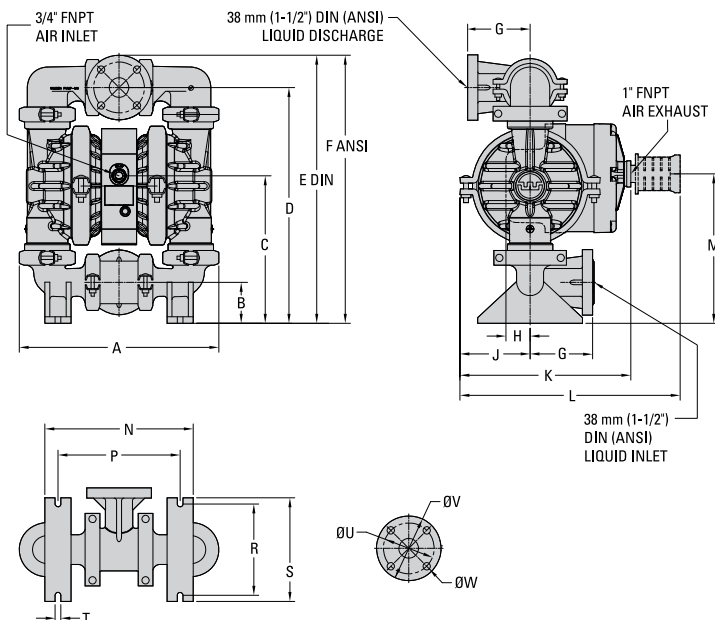
PS4 PLASTIC

DIMENSIONAL DRAWING

PS4 Polypropylene



PS4 PVDF



DIMENSIONS

ITEM	METRIC (mm)	STANDARD (inch)
A	394	15.5
B	79	3.1
C	304	12.0
D	465	18.3
E	532	21.0
F	528	20.8
G	122	4.8
H	48	1.9
J	137	5.4
K	331	13.0
L	444	17.5
M	286	11.2
N	287	11.3
P	236	9.3
R	180	7.1
S	204	8.0
T	10	0.4
DIN FLANGE		
U	110 DIA.	4.3 DIA.
V	150 DIA.	5.9 DIA.
W	18 DIA.	0.7 DIA.
ANSI FLANGE		
U	98 DIA.	3.9 DIA.
V	127 DIA.	5.0 DIA.
W	14 DIA.	0.6 DIA.

LW0212 REV. C

DIMENSIONS

ITEM	METRIC (mm)	STANDARD (inch)
A	387	15.2
B	79	3.1
C	286	11.3
D	457	18.0
E	531	20.9
F	520	20.5
G	121	4.8
H	47	1.8
J	136	5.4
K	331	13.0
L	427	16.8
M	290	11.4
N	288	11.3
P	237	9.3
R	177	7.0
S	201	7.9
T	11	0.4
DIN FLANGE		
U	108 DIA.	4.3 DIA.
V	148 DIA.	5.8 DIA.
W	18 DIA.	0.7 DIA.
ANSI FLANGE		
U	98 DIA.	3.8 DIA.
V	125 DIA.	4.9 DIA.
W	14 DIA.	0.6 DIA.

LW0214 REV. C

PUMP DATA

Specifications:

- Ship Weight.....Polypropylene 18 kg (40 lb)
PVDF 24 kg (52 lb)
- Air Inlet.....3/4"
- Liquid Inlet.....38 mm (1-1/2")
- Liquid Outlet.....38 mm (1-1/2")



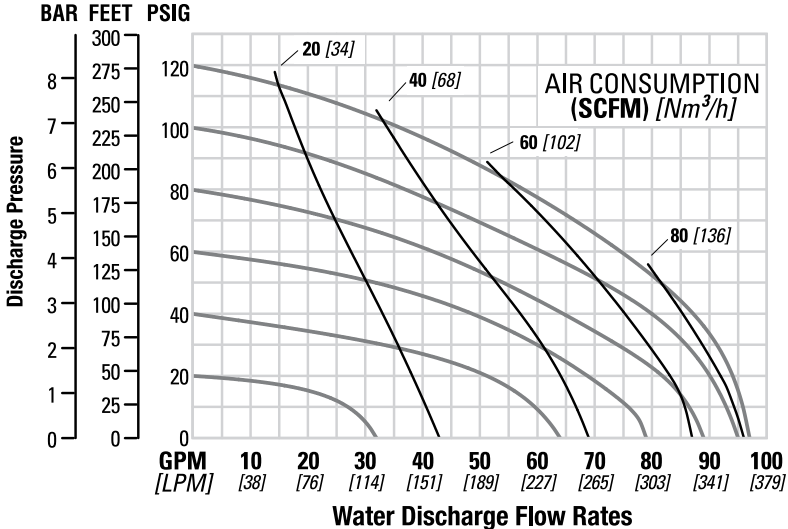
22069 Van Buren Street
Grand Terrace, CA 92313-5607 USA
O: +1 (909) 422-1730 F: +1 (909) 783-3440
www.psgdover.com



PERFORMANCE

PS4 PLASTIC
FULL-STROKE PTFE-FITTED

Max. Flow Rate.....368 lpm (98 gpm)
Max. Inlet Pressure8.6 bar (125 psig)
Max. Solids Passage..... 4.8 mm (3/16")
Max. Suction Lift.....6.1 m Dry (19.9')
8.3 m Wet (27.2')



PS8 PLASTIC PUMP

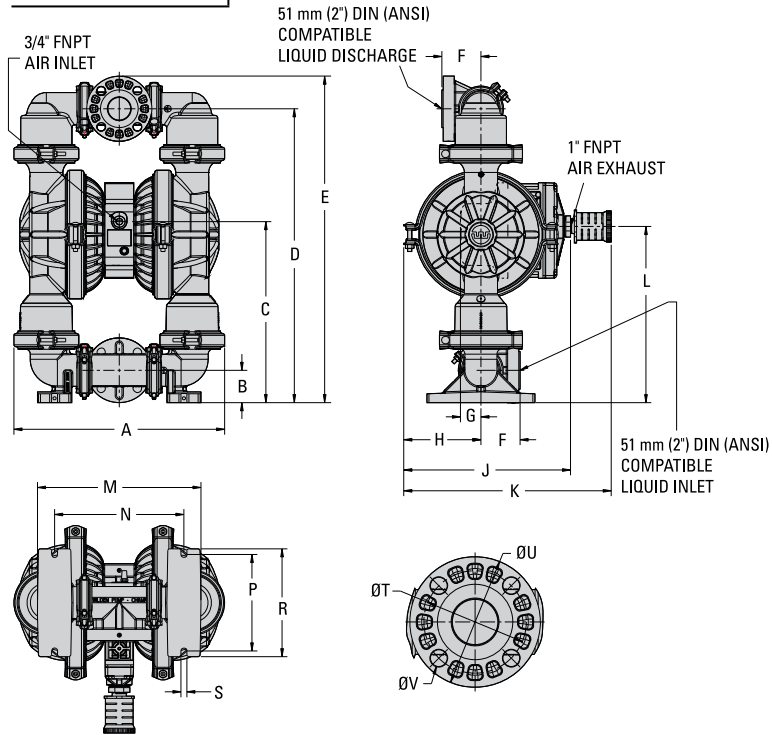
**51 mm (2") Pump
Maximum Flow Rate:
643 lpm (170 gpm)**



PS8 PLASTIC

DIMENSIONAL DRAWING

PS8 Plastic



DIMENSIONS

ITEM	METRIC (mm)	STANDARD (inch)
A	496	19.5
B	76	3.0
C	426	16.8
D	692	27.2
E	769	30.3
F	92	3.6
G	48	1.9
H	182	7.5
J	393	15.5
K	488	19.2
L	415	16.3
M	385	15.2
N	304	12.0
P	227	8.9
R	254	10.0
S	14	0.6
DIN/ANSI COMPATIBLE		
T	121 DIA.	4.8 DIA.
U	154 DIA.	6.0 DIA.
V	20 DIA.	0.8 DIA.

LW0213 REV. C

PUMP DATA

Specifications:

- Ship Weight..... 36 kg (79 lb)
- Air Inlet 3/4"
- Liquid Inlet..... 51 mm (2")
- Liquid Outlet..... 51 mm (2")

PERFORMANCE

**PS8 PLASTIC
FULL-STROKE PTFE-FITTED**

Max. Flow Rate.....597 lpm (158 gpm)
 Max. Inlet Pressure8.6 bar (125 psig)
 Max. Solids Passage..... 6.4 mm (1/4")
 Max. Suction Lift.....6.1 m Dry (19.9')
 8.3 m Wet (27.2')

