

P25 PLASTIC PUMP

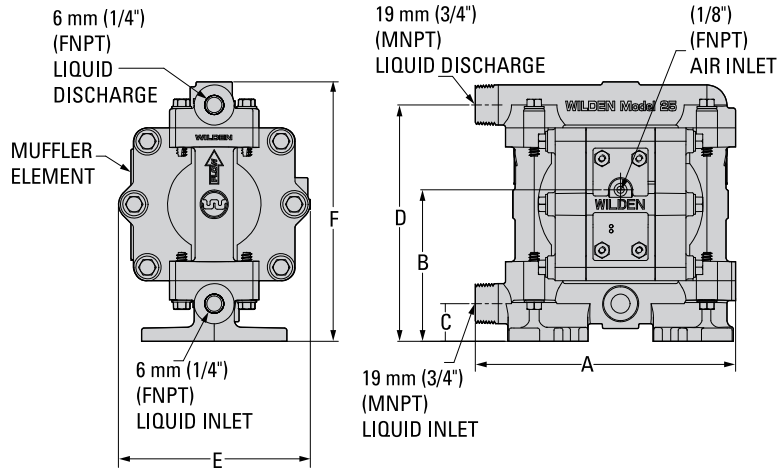
**6 mm (1/4") Pump
Maximum Flow Rate:
16.7 lpm (4.4 gpm)**



P25 PLASTIC

DIMENSIONAL DRAWING

P25 Plastic



DIMENSIONS

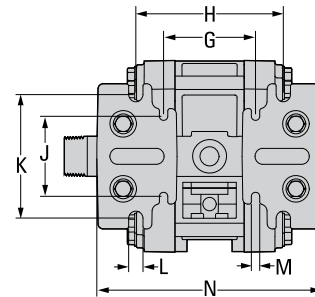
ITEM	METRIC (mm)	STANDARD (inch)
A	173	6.8
B	102	4.0
C	25	1.0
D	157	6.2
E	127	5.0
F	173	6.8
G	61	2.4
H	99	3.9
J	53	2.1
K	81	3.2
L	10	0.4
M	5	0.2
N	150	5.9

LW0069 REV. A

PUMP DATA

Specifications:

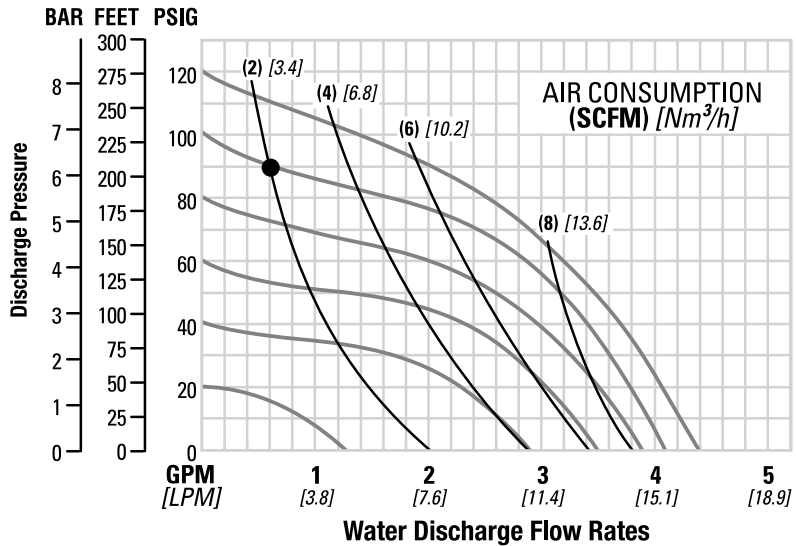
Ship Weight.....Polypropylene 2 kg (4 lbs)
PVDF 2 kg (5 lbs)
Air Inlet 1/8" FNPT
Liquid Inlet..... 6 mm (1/4")
Liquid Outlet..... 6 mm (1/4")



PERFORMANCE

**P25 PLASTIC
PTFE-FITTED**

Max. Flow Rate..... 16.7 lpm (4.4 gpm)
Max Inlet Pressure 8.6 bar (125 psig)
Max. Size Solids..... 0.7 mm (1/32")
Suction Lift 1.9 m Dry (6.2')
 9.3 m Wet (30.6')



P100 PLASTIC PUMP

13 mm (1/2") Pump
Maximum Flow Rate:
58.7 lpm (15.5 gpm)

DIMENSIONAL DRAWING

P100 Plastic

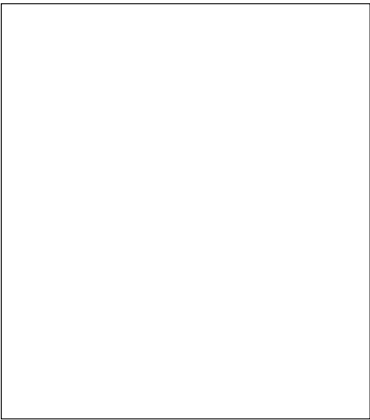
DIMENSIONS

ITEM	METRIC (mm)	STANDARD (inch)
A	234	9.2
B	51	2.0
C	170	6.7
D	254	10.0
E	277	10.9
F	25	1.0
G	114	4.5
H	201	7.9
J	170	6.7
K	145	5.7
L	114	4.5
M	102	4.0
N	91	3.6
P	8	0.3
R	188	7.4
S	156	6.1
T	140	5.5
U	129	5.1

PUMP DATA

Specifications:

- Ship Weight.....Polypropylene 4 kg (8 lb)
 PVDF 5 kg (10 lb)
- Air Inlet 6 mm (1/4")
- Liquid Inlet..... 13 mm (1/2")
- Liquid Outlet..... 13 mm (1/2")



PERFORMANCE

P200 PLASTIC PUMP

25 mm (1") Pump
Maximum Flow Rate:
220 lpm (58 gpm)

DIMENSIONAL DRAWING

P200 Plastic

DIMENSIONS

ITEM	METRIC (mm)	STANDARD (inch)
A	457	18.0
B	66	2.6
C	259	10.2
D	381	15.0
E	434	17.1
F	99	3.9
G	104	4.1
H	122	4.8
J	259	10.2
K	231	9.1
L	353	13.9
M	310	12.2
N	124	4.9
P	157	6.2
R	10	0.4
DIN FLANGE		
S	85 DIA.	3.3 DIA.
T	115 DIA.	4.5 DIA.
U	14 DIA.	0.6 DIA.
ANSI FLANGE		
S	79 DIA.	3.1 DIA.
T	108 DIA.	4.3 DIA.
U	16 DIA.	0.6 DIA.

PUMP DATA

Specifications:

Ship Weight.....Polypropylene 10 kg (22 lb)
 PVDF 15 kg 32 lb
 PFA 18 kg (40 lb)
 Air Inlet 6 mm (1/4")
 Liquid Inlet..... 25 mm (1")
 Liquid Outlet..... 25 mm (1")

PERFORMANCE
