

P220/P230 FIT METAL PUMP

25 mm (1") Pump
Maximum Flow Rate:
212 lpm (56 gpm)

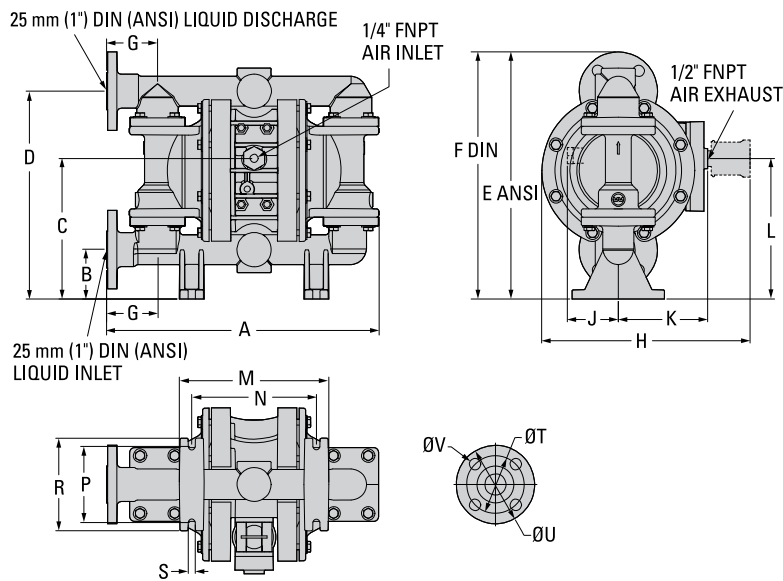
DIMENSIONAL DRAWINGS

PUMP DATA

Specifications:

- Ship Weight..... Aluminum 11 kg (24 lb)
- Ductile Iron 21 kg (47 lb)
- 316 Stainless Steel 23 kg (51 lb)
- Air Inlet6 mm (1/4")
- Liquid Inlet.....25 mm (1")
- Liquid Outlet.....25 mm (1")

P230 Stainless Steel



DIMENSIONS

ITEM	METRIC (mm)	STANDARD (inch)
A	373	14.7
B	69	2.7
C	195	7.6
D	287	11.4
E	340	13.4
F	343	13.5
G	71	2.8
H	287	11.3
J	71	2.8
K	122	4.8
L	193	7.6
M	206	8.1
N	173	6.8
P	104	4.1
R	127	5.0
S	10	0.4
DIN FLANGE		
T	85 DIA.	3.3 DIA.
U	115 DIA.	4.5 DIA.
V	14 DIA.	0.6 DIA.
ANSI FLANGE		
T	79 DIA.	3.1 DIA.
U	109 DIA.	4.3 DIA.
V	14 DIA.	0.6 DIA.

LW0445 REV. A

P 220 / P 230 FIT METAL PUMP

PERFORMANCE

**38 mm (1-1/2") Pump
Maximum Flow Rate:
492 lpm (130 gpm)**

DIMENSIONAL DRAWINGS

PUMP DATA

Specifications:

Ship Weight..... 420 Threaded AL 26 kg (57 lb)
 420 Threaded SS 50 kg (111 lb)
 420 Threaded Iron 39 kg (86 lb)
 430 Flanged AL 28 kg (62 lb)
 430 Flanged SS 53 kg (116 lb)
 430 Flanged Iron 42 kg (92 lb)
Air Inlet 19 mm (3/4")
Liquid Inlet..... 38 mm (1-1/2")
Liquid Outlet..... 38 mm (1-1/2")

P420/P430 FIT METAL PUMP

PERFORMANCE

**51 mm (2") Pump
Maximum Flow Rate:
609 lpm (161 gpm)**

DIMENSIONAL DRAWINGS

PUMP DATA

Specifications:

Ship Weight.. 820 Threaded AL 47 kg (104 lb)
 820 Threaded SS 73 kg (161 lb)
 820 Threaded Iron 71 kg (156 lb)
 830 Flanged AL 54 kg (118 lb)
 830 Flanged SS 81 kg (178 lb)
 830 Flanged Iron 82 kg (181 lb)
Air Inlet 19 mm (3/4")
Liquid Inlet.....51 mm (2")
Liquid Outlet.....51 mm (2")

P 820/P 830 FIT METAL PUMP

PERFORMANCE
