

# Data Sheet

## Series J5

### Electronic Metering Pumps

#### Configuration

Model **J54D-358SI**

##### Control & Output Code

**Instrument Responsive/Manual Control**  
12 VDC powered pump. Speed (stroking frequency) and stroke length manually adjustable. Speed (stroking frequency) may be externally controlled for automatic systems.

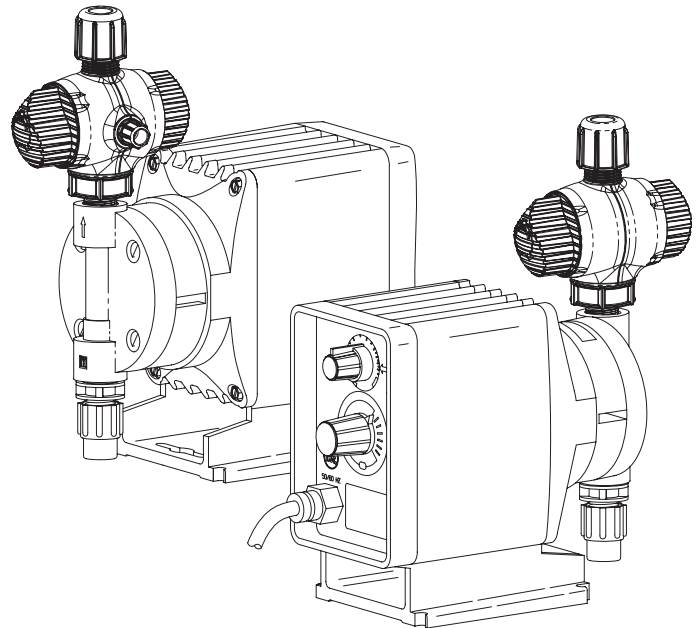
J54D- 1.6 l/h -- (0.42 GPH) ---- 9.7 Bar (140 psi)

J55D- 3.8 l/h -- (1.0 GPH)----- 4.1 Bar (60 psi)

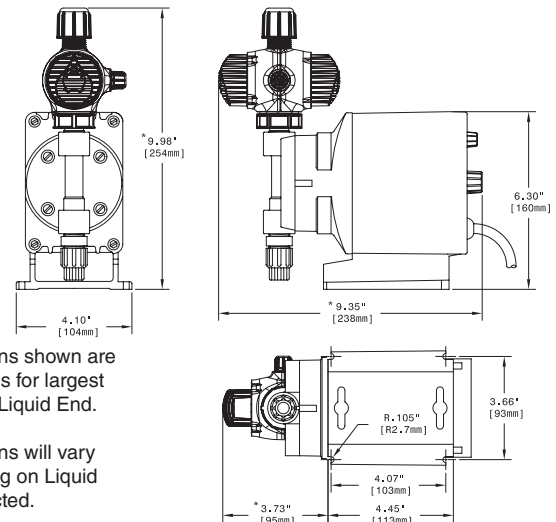
J56D- 7.6 l/h -- (2.0 GPH) ----- 1.4 Bar (20 psi)

##### Liquid End

See next page for complete liquid end specifications & selection.



#### Dimensions



\* Dimensions shown are maximums for largest available Liquid End.

Dimensions will vary Depending on Liquid End selected.

#### Specifications

Series	Strokes per Minute (adjustable)		Stroke Length (adjustable) recommended minimum	Average Input Power @ Max Speed	Shipping Weight
	MIN	MAX			
J54D			30%		
J55D	5	100	20%	22 watts	3.5 kg (7.6 lbs)
J56D			20%		



201 Ivyland Road  
Ivyland, PA 18974 USA  
TEL: (215) 293-0401  
FAX: (978) 2293-0445  
<http://www.lmipumps.com>

## Standard Liquid Ends Configuration Data & Materials of Construction

Drive Assembly	Liquid End No.	Size Code	Head & Fittings	Balls	Materials of Construction Liquifram™	Check Valve	Accessory	Tubing & Connections Discharge Section
J54D ■	458SI†	0.5	PVC/PVC	Ceramic	Fluorofilm™	PVDF/Polyprel®	4FV	PE .250* O.D.
	450SI†	0.5	Acrylic/PVC	Ceramic	Fluorofilm™	PVDF/Polyprel®	4FV	PE .250* O.D.
	358SI†	0.5	PVC/PVC	Ceramic	Fluorofilm™	PVDF/Polyprel®	4FV	PE .250* O.D.
	353SI†	0.5	PVDF/PVDF	Ceramic	Fluorofilm™	PVDF/PTFE	4FV	PE .250* O.D.
	352SI†	0.5	PVDF/PVDF	Ceramic	Fluorofilm™	PVDF/Polyprel®	4FV	PE .250* O.D.
	257	0.5	316 S.S.	316 S.S.	Fluorofilm™	316 S.S.	—	Pipe 1/4" NPT M

J55D ■	498SI†	0.9	PVC/PVC	Ceramic	Fluorofilm™	PVDF/Polyprel®	4FV	PE .375* O.D.
	490SI†	0.9	Acrylic/PVC	Ceramic	Fluorofilm™	PVDF/Polyprel®	4FV	PE .375* O.D.
	398SI†	0.9	PVC/PVC	Ceramic	Fluorofilm™	PVDF/Polyprel®	4FV	PE .375* O.D.
	393SI†	0.9	PVDF/PVDF	Ceramic	Fluorofilm™	PVDF/PTFE	4FV	PE .375* O.D.
	392SI†	0.9	PVDF/PVDF	Ceramic	Fluorofilm™	PVDF/Polyprel®	4FV	PE .375* O.D.
	297	0.9	316 S.S.	316 S.S.	Fluorofilm™	316 S.S.	—	Pipe 1/4" NPT M

J56D ■	468TI†	1.8	PVC/PVC	Ceramic	Fluorofilm™	PVDF/Polyprel®	3FV	PE .375* O.D.
	460TI†	1.8	Acrylic/PVC	Ceramic	Fluorofilm™	PVDF/Polyprel®	3FV	PE .375* O.D.
	368TI†	1.8	PVC/PVC	Ceramic	Fluorofilm™	PVDF/Polyprel®	3FV	PE .375* O.D.
	363TI†	1.8	PVDF/PVDF	Ceramic	Fluorofilm™	PVDF/PTFE	3FV	PE .375* O.D.
	362TI†	1.8	PVDF/PVDF	Ceramic	Fluorofilm™	PVDF/Polyprel®	3FV	PE .375* O.D.
	277	1.8	316 S.S.	316 S.S.	Fluorofilm™	316 S.S.	—	Pipe 1/4" NPT M

■ See front page for voltage code specifications.

† Standard tubing connections. To specify black, UV resistant tubing, change 'I' to 'U'. To specify 3FV, change 'S' to 'T'.

3-FV indicates that the pump is equipped with an LMI Three Function Valve (pressure relief, priming aid, line drain).

4-FV indicates that the pump is equipped with an LMI Four Function Valve. This diaphragm type anti-syphon/pressure relief valve is installed on the pump head. It provides anti-syphon protection and aids in priming even under pressure.

Fluorofilm™ is a copolymer of PTFE and PFA. Polyprel® is an elastomeric PTFE copolymer. Polyprel® is a registered trademark of Milton Roy, LLC. Fluorofilm™ and Liquifram™ are trademarks of Milton Roy, LLC.

## Output Information

Series	Gallons per Hour		Liters per Hour		mL/cc per minute		mL/cc per Stroke		Maximum Injection PRESSURE
	MIN	MAX	MIN	MAX	MIN	MAX	MIN	MAX	
J54D*	0.006	0.42	0.024	1.6	0.40	27	0.08	0.27	9.7 Bar (140 psi)
J55D*	0.010	1.0	0.038	3.8	0.63	63	0.13	0.63	4.1 Bar (60 psi)
J56D*	0.020	2.0	0.076	7.6	1.27	127	0.25	1.27	1.4 Bar (20 psi)

\*Minimum output can be reduced to zero (0) when in external mode.