



FEATURES

Impeller: Cast iron, semi-open, non-clog with pump-out vanes for mechanical seal protection. Balanced for smooth operation. Silicon bronze impeller available as an option.

Casing: Cast iron volute type for maximum efficiency. 2" NPT discharge.

Mechanical Seal: Silicon Carbide vs. Silicon Carbide sealing faces. Stainless steel metal parts, BUNA-N elastomers.

Shaft: Corrosion-resistant, stainless steel. Threaded design. Locknut on all models to guard against component damage on accidental reverse rotation.

Fasteners: 300 series stainless steel.

Temperature rating 200°F for continuous operation when fully submerged.

Capable of running dry without damage to components.

WEHT Series

Model 3885HT

SUBMERSIBLE HIGH TEMPERATURE SUMP PUMPS

APPLICATIONS

Specifically designed for the following uses:

- Boiler blow down, high temp condensate

SPECIFICATIONS

Pump

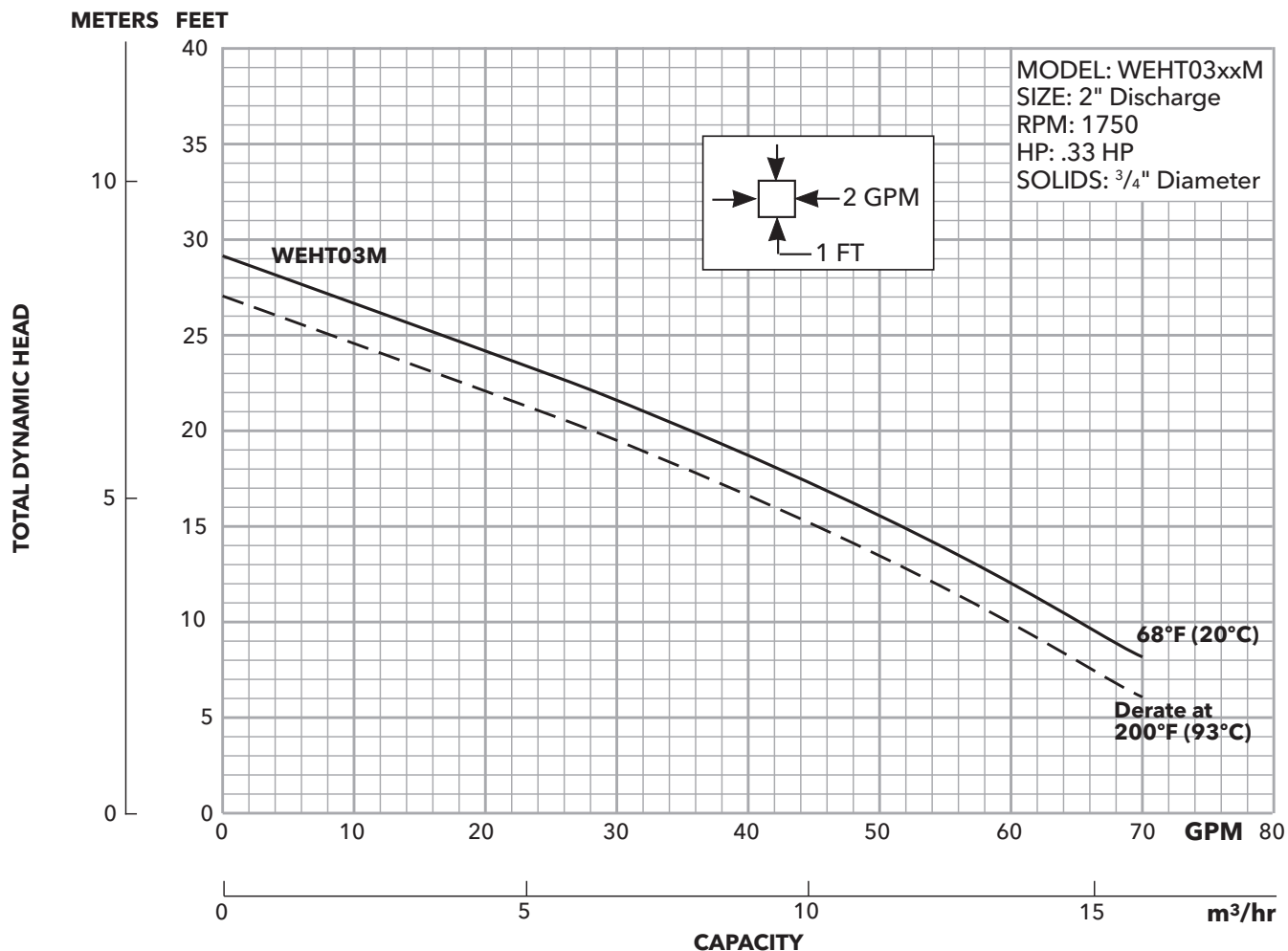
- Solids handling capabilities: $\frac{3}{4}$ " maximum
- Discharge size: 2" NPT
- Capacities: up to 70 GPM
- Total heads: up to 27 feet TDH
- Temperature: 200°F (93°C) continuous, fully submerged
- See order numbers on reverse side for specific HP, voltage and phase.
- Available with 1½" connection and high temp float if required. See model chart on page 3.

MOTORS

- Fully submerged in high-grade turbine oil for lubrication and efficient heat transfer.
- Class B insulation

Single phase (60 Hz):

- Capacitor start motors for maximum starting torque.
- Built-in overload with automatic reset.
- SJOOW severe duty oil and water resistant power cords, rated for high temperature.
- Models have NEMA three prong grounding plugs.

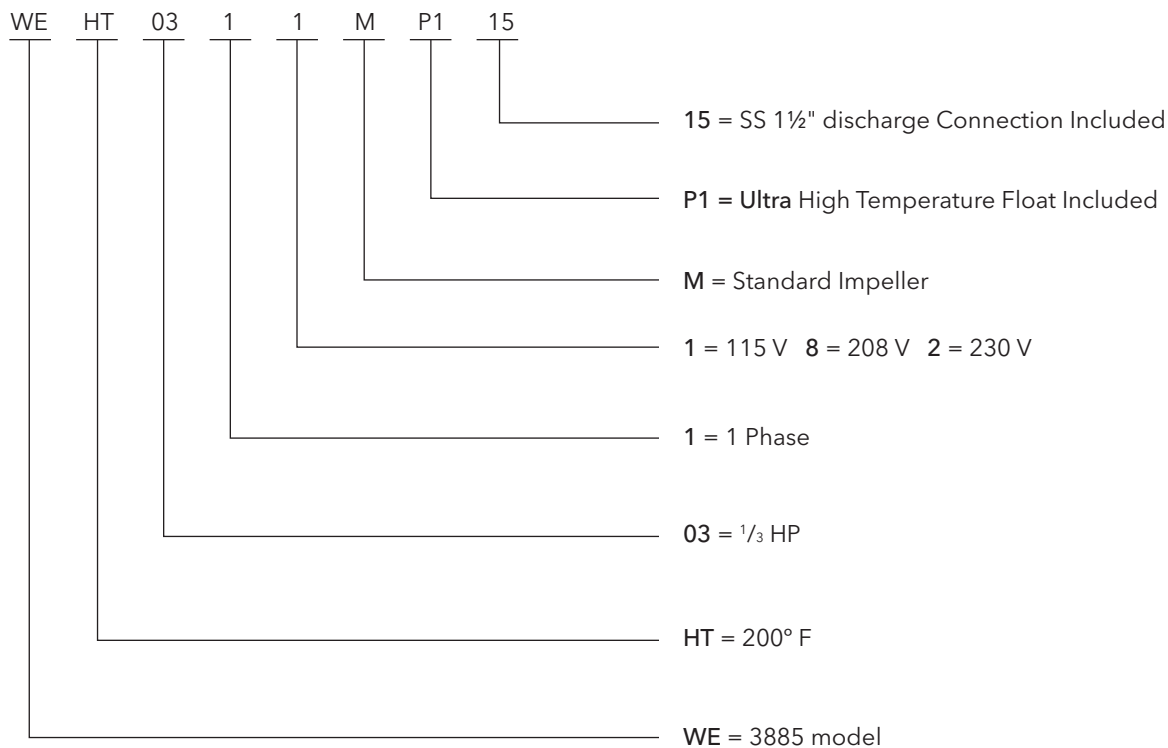


MODELS

Order Number	HP	Phase	Volts	RPM	Impeller Dia. (In.)	Max. Amps	LRA	KVA Code	Full Load Motor Eff.	Resistance		Wt. (Lbs.)	Operation	Discharge
										Start	Line-Line			
WEHT0311M	1/3	1	115	1750	5.38"	12	31.1	J	55	9.3	1.4	56	Manual	2"
WEHT0318M			208			7.3	19.5	K	51	9.1	4.2			
WEHT0312M			230			6.1	16.5	J	54	11.7	5.6			
WEHT0311M15			115			12	31.1	J	55	9.3	1.4			
WEHT0318M15			208			7.3	19.5	K	51	9.1	4.2			
WEHT0312M15			230			6.1	16.5	J	54	11.7	5.6			
WEHT0311MP1			115			12	31.1	J	55	9.3	1.4		Automatic Float Included	2"
WEHT0318MP1			208			7.3	19.5	K	51	9.1	4.2			
WEHT0312MP1			230			6.1	16.5	J	54	11.7	5.6			
WEHT0311MP115			115			12	31.1	J	55	9.3	1.4			
WEHT0318MP115			208			7.3	19.5	K	51	9.1	4.2			
WEHT0312MP115			230			6.1	16.5	J	54	11.7	5.6			

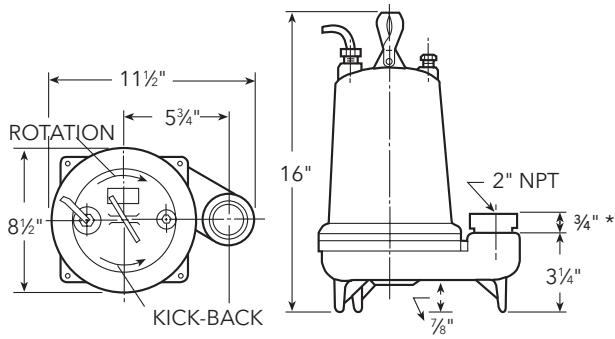
Accessory part numbers: A2SJRHT31 - 115V and A2SJRHT32 - 208 and 230V (ultra high-temperature float switch)

NOMENCLATURE



DIMENSIONS

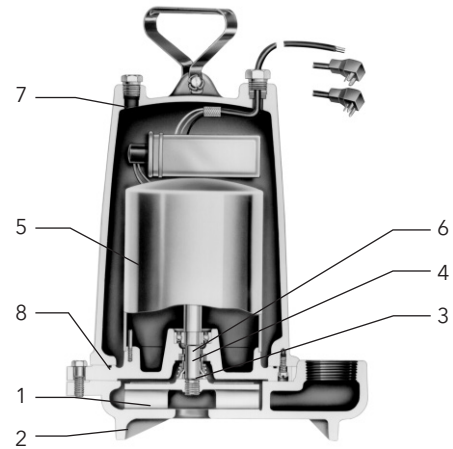
(All dimensions are in inches. Do not use for construction purposes.)



* 2" x 1 1/2" adapter if used

COMPONENTS

Item No.	Description
1	Impeller
2	Casing
3	Mechanical Seal
4	Motor Shaft
5	Motor
6	Ball Bearings
7	Power Cable
8	Casing O-Ring



Xylem Inc.
2881 East Bayard Street Ext., Suite A
Seneca Falls, NY 13148
Phone: (866) 325-4210
Fax: (888) 322-5877
www.gouldswatertechnology.com

Goulds is a registered trademark of Goulds Pumps, Inc. and is used under license.
© 2017 Xylem Inc. B3885HT R5 April 2017